



Owner's Manual and Operating Instructions



**5000 lb.
ATV/UTV WINCH**

Table of Contents

Introduction	1
Accessories	1
This Booklet	1
Introduction	1
Manual Conventions	2
Safety Rules	3
Controls and Features	5
Winch	5
Installation.....	6
Step 1-Mount the Winch	6
Step 2-Mount the Contactor	6
Step 3-UTV Dash Mounted Rocker Switch Kit	6
Step 4-Mount the Hand Remote Socket (Optional)	7
Step 5-Wiring the Winch.....	7
Winch Wiring Diagram.....	8
Switch Wiring Diagram	9
Cable Hook Stopper Installation and Use	9
Operation.....	10
General Tips for Safe Operation.....	10
Self Recovery	10
Winching Techniques	11
Maintenance.....	12
Lubrication	12
Cable Assembly Replacement.....	12
AS-50x Specifications	13
Performance Specifications	13
Model Winch Diagram	14
Winch Parts List	15
Troubleshooting.....	16
Plowing Alert.....	16
Warranty	17
Warranty Qualifications	17
Repair/Replacement Warranty	17
Do not return the unit to the place of purchase	17
Warranty Exclusions	17
Normal Wear	17
Installation, Use and Maintenance	17
Other Exclusions	17
Limits of Implied Warranty and Consequential Damage.....	17
Contact Information.....	18
Address	18
Corporate:	18
Customer Service.....	18
Technical Service	18
Agreement	18
Synthetic Cable	19

Introduction

Congratulations on your purchase of a KFI winch. KFI researches and develops winches to strict specifications. With proper use and maintenance, this winch will bring years of satisfying service.

Accessories

Kappers Fabricating Inc. manufactures, purchases and sells accessories designed to help you get the most from your purchase. To find out more about our products visit our web site at

www.kfiproductions.com

Record the model as well as date and place of purchase for future reference. Have this information available when ordering parts and when making technical or warranty inquiries.

Kappers Fabricating Inc. Support
1-877-346-2050
Model Number
AS-50x
Date of Purchase
Purchase Location
Serial Number

This Booklet

Every effort has been made to ensure the accuracy and completeness of the information in this manual. We reserve the right to change, alter and/or improve the product and this document at any time without prior notice.

Manual Conventions

Manual Conventions

This manual uses the following symbols to help differentiate between different kinds of information. The safety symbol is used with a key word to alert you to potential hazards in operating and owning a winch.

Follow all safety messages to avoid or reduce the risk of serious injury or death.

DANGER

DANGER indicates an imminently hazardous situation which, if not avoided, will result in death or serious injury.

WARNING

WARNING indicates a potentially hazardous situation which, if not avoided, could result in death or serious injury.

CAUTION

CAUTION indicates a potentially hazardous situation which, if not avoided, may result in minor or moderate injury.

CAUTION

CAUTION used without the safety alert symbol indicates a potentially hazardous situation which, if not avoided, may result in property damage.

NOTE

If you have questions regarding your winch, we can help. Please call our help line at 1-877-346-2050.

Safety Rules

WARNING

Read this manual thoroughly before operating your winch. Failure to follow instructions could result in serious injury or death.

WARNING

Do not move the vehicle to pull a load (towing) on the winch cable. This could result in cable breakage.

WARNING

Do not exceed the rated capacity.

WARNING

Pull only on areas of the vehicle as specified by the vehicle manufacturer

DANGER

Do not use this winch for lifting or moving people or animals.

WARNING

Do not use the winch to secure or hold a vehicle for a long period of time. Do not use the winch to secure a vehicle for transport.

WARNING

Keep yourself and others a safe distance to the side of the cable when under tension.

WARNING

Disconnect the remote control and battery leads when not in use for extended periods.

WARNING

Never step over a cable or near a cable under load.

WARNING

Avoid "shock loads" by using the control switch intermittently to take up the slack in the wire rope. "Shock loads" can far exceed the rate capacity for the cable and drum.

WARNING

The cable may break before the motor stalls. For heavy loads at or near rated capacity, use a pulley block/snatch block to reduce the load on the wire rope.

Do not accelerate your vehicle while winching. Loss of traction can cause a shock load on the cable. Do not use cable as a pull strap.

Safety Rules

WARNING

Batteries contain acid and produce explosive gases.

Keep sparks, flames and cigarettes away from batteries at all times. Wear safety glasses and protect the eyes at all times. Do not lean over the batteries during operation.

WARNING

When re-spooling the cable, ensure that the cable spools in the under-wind position with the cable entering the drum from the bottom, not the top.

To re-spool correctly, and while wearing gloves, keep a slight load on the cable while pushing the remote button to draw in the cable. Walk toward the winch not allowing the cable to slide through your hands. Do not let your hands get within 12" of the winch while re-spooling. Turn off the winch and repeat the procedure until a few feet of cable is left. Disconnect the remote control and finish spooling by rotating the drum by hand with the clutch disengaged. Keep hands clear of the fairlead and drum while the winch is under power.

WARNING

Do not use as a hoist. Do not use for overhead lifting.

CAUTION

Use gloves to protect hands when handling the cable. Never let the cable slide through your hands.

CAUTION

Do not wrap the cable around any object and hook it back onto itself.

CAUTION

Apply blocks to the wheels of the vehicle when on an incline.

CAUTION

Duration of winching pulls should be kept as short as possible.

If the motor becomes uncomfortably hot to the touch, stop winching immediately and let it cool down for a few minutes. Do not pull for more than one minute at or near the rated load.

CAUTION

If the motor stalls, do not maintain power to the winch.

Electric winches are designed and made for intermittent use and should not be used in constant duty applications.

CAUTION

Never release the release clutch when there is a load on the winch.

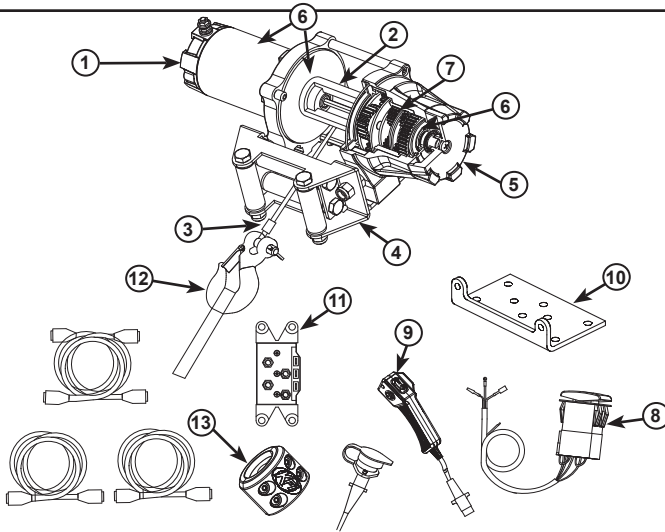
CAUTION

Use hook strap when handling the hook for spooling or unspooling the cable.

Controls and Features

Read this owner's manual before operating your winch. Familiarize yourself with the location and function of the controls and features. Save this manual for future reference.

Winch



Motor (1): 1.22 HP 12V DC motor provides power to the planetary gear mechanism.

Winch Drum (2): The winch drum is the cylinder on which the cable is stored. It can feed or wind the rope depending on the remote winch switch.

Synthetic Cable (3): 15/64" x 38' Synthetic cable designed specifically for load capacity of 7,000lbs. (36 useable feet with five wraps on the drum). The synthetic rope feeds onto the drum in the "under wind" position through the roller fairlead (4) and is looped at the end to accept the clevis hook pin (12).

Roller Fairlead (4): When using the winch at an angle the roller fairlead acts to guide the synthetic rope onto the drum and minimizes damage to the synthetic rope from abrasion on the winch mount or bumper.

Free spooling Clutch (5): The clutch allows the operator to manually disengage ("RELEASE") the spooling drum from the gear train. Engaging the clutch ("ENGAGE") locks the winch into the gear system.

Braking System (6): Braking action is automatically applied to the winch drum when the winch motor is stopped and there is a load on the synthetic rope.

Planetary Gear System (7): The reduction gears convert the winch motor power into extreme pulling forces. This system allows high torque while maintaining compact size and light weight.

UTV Dash Mounted Rocker Switch (8): Dash mounted switch for easy access with a premium look and quality.

Hand Held Switch (9): Hand held switch with a remote socket for powering the rope in or out of your winch drum.

Fairlead Mount (10): Adapter to mount the winch and fairlead for utility applications.

Contacter (11): Power from the vehicle battery flows through the weather sealed solenoid switch before being directed to the winch motor.

Clevis Hook (12): Provides a means for connecting the looped ends of cables to an anchor.

Cable Hook Stopper (13): Protects the Rollers, motor and gears

Installation

Installation

This KFI 5,000 lb winch is designed with a bolt pattern that is standard in this class of winch. Many winch mounting kits are available that utilize this bolt pattern for the most popular ATV's and UTV's. You can find most of the ATV/UTV winch mounts on our Website www.kfiproducts.com

Step 1-Mount the Winch

WARNING

Before you start to install this winch, disconnect the vehicle ground and positive leads from the battery.

1. Install the winch and fairlead with the supplied hardware per the instructions provided with the model specific mounting kit or prepare a flat, secure mounting location for the winch.

NOTE

If you chose not to use a model specific mounting kit, you will need to drill holes in the structural support of the vehicle. Be certain that your structural support will stand up to the pulling forces of this winch.

CAUTION

Mounting bolts must be SAE grade 5 or better and torque to 17 ft. lbs.

2. Attach the winch using the M8 x 25 or 30 bolts and washers through the fairlead bracket or model specific mount and then into the winch.
3. Disengage the clutch by rotating the clutch cap to the "RELEASE" position. Release the synthetic rope and pull through the roller fairlead.
4. Attach the clevis hook and hand strap to the cable.

Step 2-Mount the Contactor

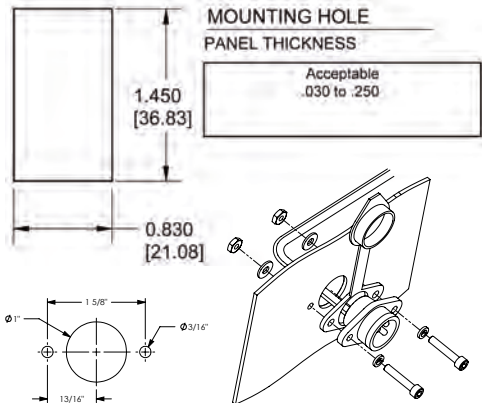
1. Find a location for the contactor. If the Model specific mounting kit does not indicate a recommended contactor location, then it is recommended that the contactor be mounted close to the battery in a clean dry

location. Make sure the location you chose allows sufficient clearance from all metal components. Drill mounting holes if required. Once location is found do not install until all wiring is completed.



Step 3-UTV Dash Mounted Rocker Switch Kit

1. Most UTV's and SxS's have predefined switch locations that are pre-scribed or marked for mounting and require finish cut with a knife.
2. Use the cut-out dimensions shown below to cut-out the switch location. If your dash doesn't have the pre-scribed areas
3. Once your switch is mounted you can route the wires back to where your contactor is located.
4. Splice the end of the red wire to an ignition (keyed) controlled power source using the supplied wire splice. You may need to use a test light to locate a suitable wire. The wire should only have power when the key is in the ON position.



Not to scale. Do NOT use as a template

Installation

Step 4-Mount the Hand Remote Socket (Optional)

1. Determine a mounting location for the hand remote socket. Make sure the area behind your selected location is clear.
2. Drill the three holes as shown in the figure on page 6 and install using the supplied hardware. You can use the rubber cap as a template.
3. Once your remote socket is mounted you can route the wires back to where your contactor is located.
4. Splice the end of the red wire to an ignition (keyed) controlled power source using the supplied wire splice. You may need to use a test light to locate a suitable wire. The wire should only have power when the key is in the ON position.
5. Secure the cable with the supplied cable ties.

Step 5-Wiring the Winch

CAUTION

Never route electrical cables across any sharp edges, through or near moving parts, or near parts that become hot.

1. Connect the yellow and blue cables to the motor terminals on the winch. Torque the terminal nuts on the motor to 5.7 N-m (50 in-lbs). Route the other ends to the contactor location. (See diagram on page 8)
2. Connect the yellow and blue cables to the contactor (yellow to yellow and blue to blue). Do NOT tighten nuts. (See diagram on page 8)
3. Connect the red and black cables to your contactor (red to red and black to black). Do NOT tighten nuts. Route the other ends to your battery location. (See diagram on page 8)
4. Connect the Dash rocker switch to the contactor. (black to black and green to green) (See diagram on page 9)
5. Once all wiring is connected to the contactor you can then mount it using the supplied M6 hardware.

WARNING

FAILURE TO FOLLOW SPECIFIC WIRING INSTRUCTIONS MAY RESULT IN DAMAGE TO YOUR WIRING SYSTEM OR EQUIPMENT.

NOTE

Depending on the location of the contactor, you may need to use an alternate winch wiring configuration. Please see the "Alternate Winch Wiring Diagram" available on www.kfiproducs.com

6. Torque the contactor terminal nuts to 4.5 N-m (40 inch pounds). Do NOT over tighten.
7. Place all terminal boots over terminals and secure all cables with zip ties or electrical tape.

NOTE

If you are installing the remote socket along with the dash mounted switch you will need to connect the remote socket to the contactor and then the dash mounted switch to the remote socket. (See diagram on page 9)

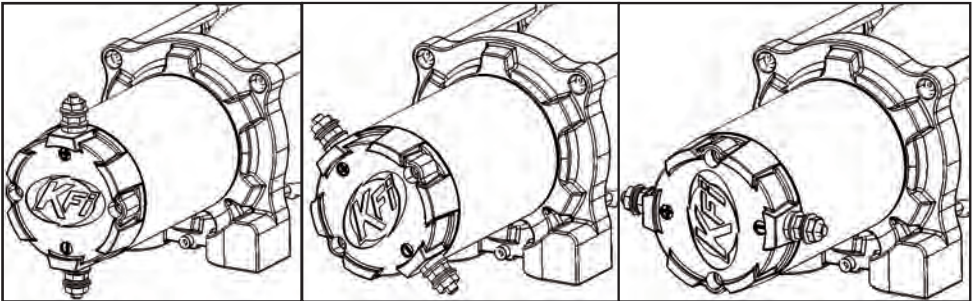
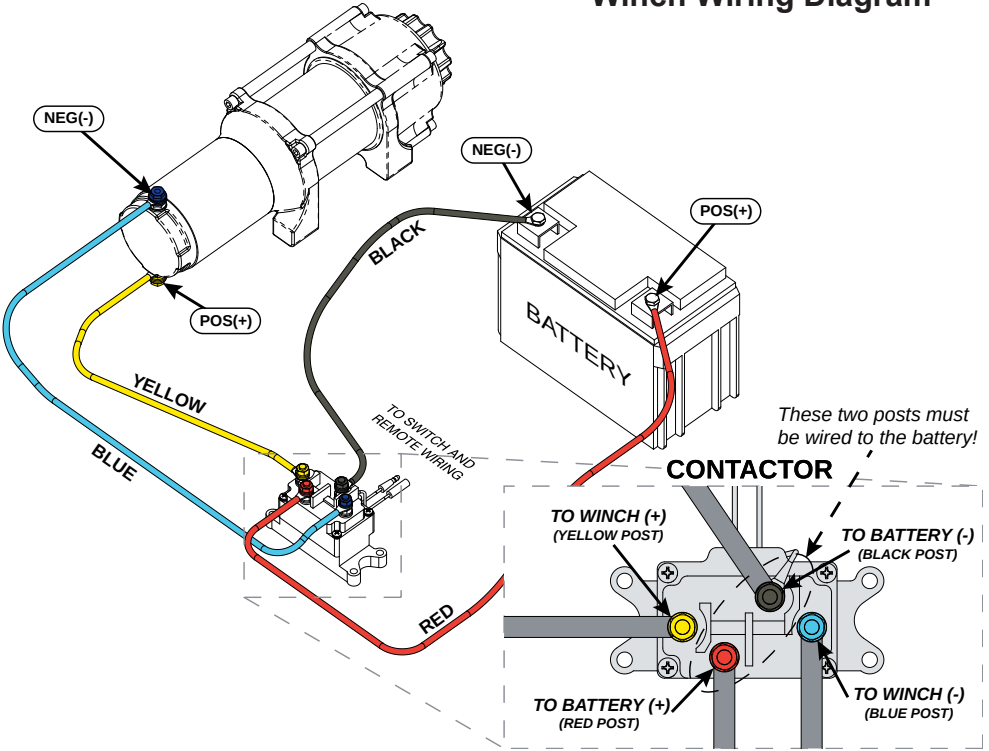
8. Connect the battery leads from the contactor to the ATV's Battery (black to black and red to red) (See diagram on page 8)
9. Check for proper drum rotation. Turn the clutch cap to the "RELEASE" position. Pull out some cable from the drum, and then turn the clutch cap to the "ENGAGE" position to engage the gears. Make sure your machine is running and press the cable out button on the switch. If the synthetic rope is turning and releasing more cable, then your connections are accurate. If the synthetic rope is turning and collecting more cable, then reverse the leads on the motor. Repeat and check rotation.

CAUTION

Battery cables should not be drawn taut. Leave some slack for cable movement.

Installation

Winch Wiring Diagram

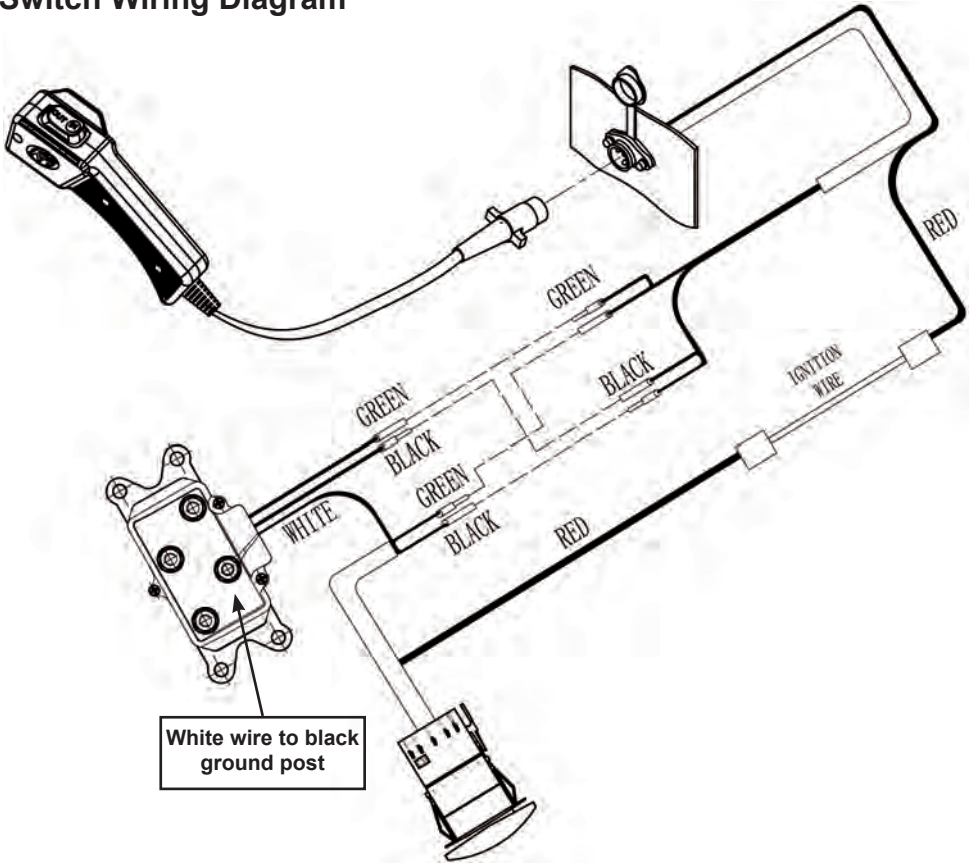


Standard Orientation → **45° Rotation** → **90° Rotation**

With some applications the motor leads may need to be rotated to avoid interference with other components. If rotation is required please give us a call at 1-877-346-2050 for instructions or visit our website at www.kfiproducts.com and look in the support section.

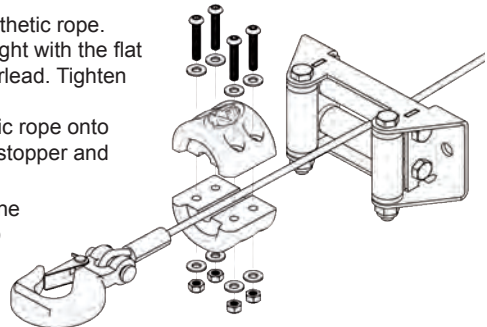
Installation

Switch Wiring Diagram



Cable Hook Stopper Installation and Use

1. Release winch and pull out approx. 2 feet of synthetic rope.
2. Assemble cable hook stopper as shown to the right with the flat portion of the two halves resting against your fairlead. Tighten fasteners.
3. To stow hook, engage clutch and retract synthetic rope onto winch spool until hook is snug against the hook stopper and fairlead.
4. Position hook stopper at approx. $\frac{3}{4}$ of the total line distance towards hook while using your winch to help reduce whip back in the event of synthetic rope breakage.



Operation

General Tips for Safe Operation

Your AS-50x winch is rated at 5,000 lbs. capacity in first layer (max) when spooling the first rope layer on the drum. Overloads can damage the winch, motor and/or cable.

The vehicle engine should be kept running during operation of the winch to minimize battery drain and maximize power and speed of the winch. If the winch is used for a considerable time with the engine off the battery may be drained and too weak to restart the engine.

Get to know your winch before you actually need to use it. We recommend that you set up a few test runs to familiarize yourself with rigging techniques, the sounds your winch makes under various loads, the way the cable spools on the drum, etc.

Inspect the cable and equipment before each use. A frayed or damaged rope should be replaced immediately. Use only manufacturer's identical replacement rope with the exact specifications.

Inspect the winch installation and bolts to ensure that all bolts are tight before each operation.

Store the remote control inside your vehicle in a place that it will not be damaged.

Any winch that appears to be damaged in any way, is found to be worn, or operates abnormally **MUST BE REMOVED FROM SERVICE UNTIL REPAIRED**. It is recommended that the necessary repairs be made by a manufacturer's authorized repair facility.

Pull only on areas of the vehicle as specified by the vehicle manufacturer.

Only attachments and/or adapters supplied by the manufacturer are to be used.

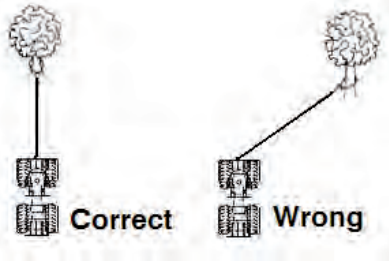
Self Recovery

Locate a suitable anchor such as a strong tree trunk or boulder. Always use a sling as an anchor point.



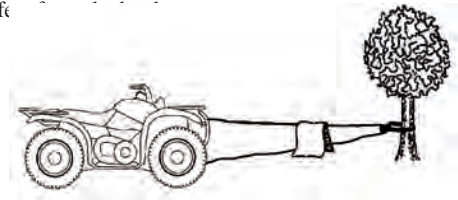
Your winch is equipped with a roller fairlead to help guide the cable and to reduce binding on short side pulls.

Do not winch from an acute angle as the cable will pile up on one side of the drum causing damage to cable and the winch.



Short pulls from an angle can be used to straighten the vehicle. Long pulls should be done with the cable straight out from the winch/vehicle.

When pulling a heavy load, place a cable hook stopper, blanket or jacket over the cable five or six ft



In the event of a cable snap it will dampen the snap back. For additional protection open the hood of the vehicle.

Winching Techniques

1. Take time to assess your situation and plan your pull.
2. Put on gloves to protect your hands.
3. Disengage the clutch to allow free-spooling and also save battery power.
4. Attach the hook strap to the clevis hook.
5. Pull out the cable to your desired anchor point using the hook strap.
6. Secure the clevis hook to the anchor point: Sling, chain or snatch block. Do not attach the hook back onto the cable.
7. Engage the clutch.
8. Start your engine to ensure power is being replenished to the battery.
9. Power in the cable guiding the cable under tension to draw up the slack in the cable. Once the cable is under tension, stand clear. Never step over the cable.
10. Double check your anchors and make sure all connections are secure.
11. Inspect the cable. Make sure there are at least 5 wraps of cable around the winch drum.
12. Place cable hook stopper over the cable approximately 5 to 6 feet from the hook.
13. Clear the area. Make sure all spectators stand clear and that no one is directly in front or behind the vehicle or anchor point.
14. Begin winching. Be sure that the cable is winding evenly and tightly around the drum. The vehicle that is being winched can be slowly driven to add assistance to the winching process. Avoid shock loads; keep the cable under tension.
15. The vehicle to be winched should be placed in neutral and the parking brake released. Only release the loads to the winch. This can damage the winch, cable and vehicle.
16. The winch is meant for intermittent use. Under full load with a single line rig do not power in for more than a minute without letting the motor cool down for a few minutes and then resume the winching operation.
17. The winching operation is complete once the vehicle is on stable ground and is able to drive under its own power.
18. Secure the vehicle. Be sure to set the brakes and place the vehicle in park.
19. Release the tension on the cable. The winch is not meant to hold the vehicle for long periods of time.
20. Disconnect the cable from the anchor.
21. Rewind the cable. Make sure that any cable already on the drum has spooled tightly and neatly. If not, draw out the cable and re-spool from the point where the cable is tight.
22. Keep your hands clear of the winch drum and fairlead as the cable is being drawn in.
23. Secure the hook and hook strap.
24. Disconnect the remote control and store in a clean, dry place.
25. Clean and inspect connections and mounting hardware for next winching operation.
26. Never use the winch as a tie down.
27. Use brake pedal when under full tension.

Maintenance

Maintenance

The owner/operator is responsible for all periodic maintenance.



WARNING

Never operate a damaged or defective winch.



WARNING

Improper maintenance will void your warranty.

Complete all scheduled maintenance in a timely manner. Correct any issue before operating the winch.



NOTE

For service or parts assistance, contact our help line at 1-877-346-2050.

Motor

Periodically when not used very often, or after wet / damp conditions. Be sure to run the motor in free spool until the motor is warm. This helps dry out any moisture and condensation trapped inside the housing.

Lubrication

All moving parts within the Electric Winch have been Lubricated using high temperature lithium grease at the factory. No internal lubrication is required under normal conditions. If the winch is subjected to extreme conditions lubrication may be required using a high temperature lithium grease.

Cable Assembly Replacement

It is recommended that any modifications be performed by a manufacturer's authorized repair facility, and that only manufacturer-supplied parts be used

1. Rotate the clutch cap to the "Release" position.
2. Extend Cable Assembly to its full length. Note how the existing cable is connected to the inside of the drum.
3. Remove old Cable Assembly and attach new one.
4. Rotate the clutch cap to the "Engage" position.
5. Retract Cable Assembly onto drum being careful not to allow kinking or over heating of the winch.

AS-50x Specifications

Performance Specifications

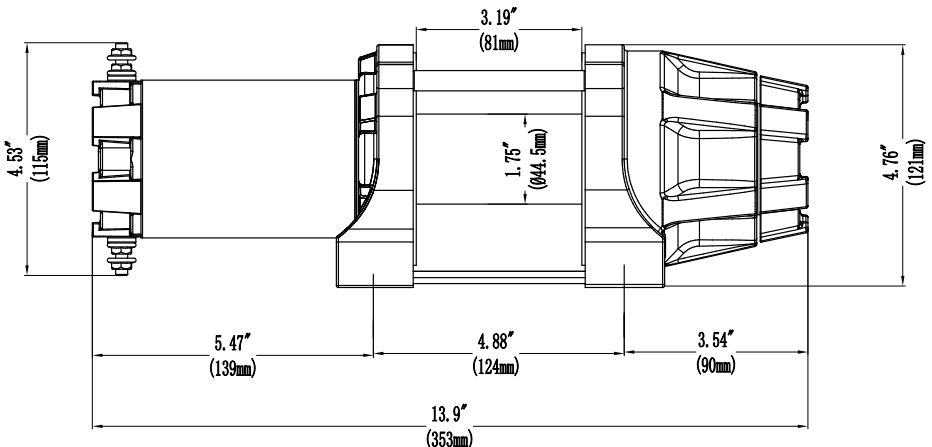
Rated Pull	5,000 lbs (2268 kg)
Gear Reduction Ratio	180:1
Motor	Permanent Magnet 1.22 HP (DC 12V)
Drum Size	1.75" (D) x 3.19" (L) 44.5 mm (D) x 81.0 mm (L)
Synthetic Cable	15/64" (D) x 38.0' (L) 6 mm (D) x 11.6 m (L) (36 useable feet with five wraps on the winch drum)
Weight	26.0 lbs. (NET)
Height	4.76 inches (121 mm)
Width	4.45 inches (113 mm)
Length	13.9 inches (353 mm)
Bolt Pattern	4-7/8" x 3" (124mm x 76 mm)

Line Speed and Motor Current (First Layer)

Line Pull Max	lbs	0	1500	2500	3500	4500	5000
	kgs	0	680	1134	1588	2041	2268
Line Speed (12 VDC)	FPM	12.46	9.8	8.2	6.8	4.5	3.0
	MPM	3.8	3.0	2.5	2.1	1.4	0.9
Max Current	amps	30	75	105	140	200	240
Cooling Time	minutes	5	5	5	5	5	5

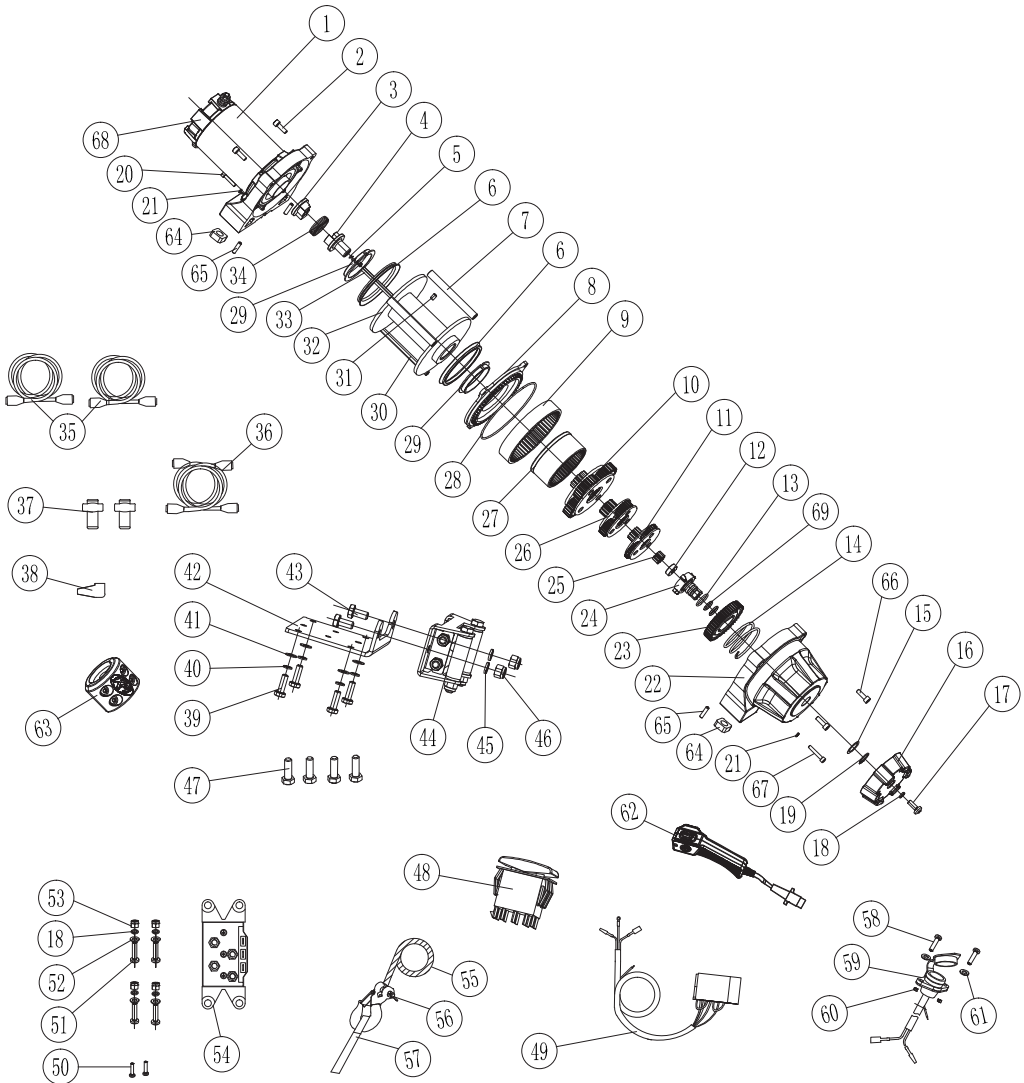
Line Pull and Cable Capacity

Layers of cable on drum		1	2	3	4	5
Max pulling capacity per layer	lbs	5000	4040	3389	2919	2563
	kgs	2268	1833	1537	1324	1163
Cable capacity per layer	ft	6.6	15.1	24.9	36.7	38
	m	2.0	4.6	7.6	11.2	11.6



AS-50x Specifications

Parts Diagram



Winch Parts List

AS-50x Specifications

No	Part#	Description	Qty
01	500100	Motor Assembly	1
02	410018-B	Bolt M5 x 16	2
03	450001	Coupling, I	1
04	450003A	Coupling, II	1
05	410001	Spring	1
06	500001	Delf-Seal Packing	2
07	500018	Tie Bar Φ 10	2
08	500002A	Clutch Cover	1
09	410005	Gear Ring I	1
10	410006	Gear Carrier Assembly, Output	1
11	410009	Gear Carrier assembly, Input	1
12	GB2760B B0606-2RS	Radial Ball Bearing 606 Sealed	1
13	500003	O-Ring Φ 19 x 2.4	1
14	410014	Clutch Spring	1
15	500019	Stainless Washer Φ 16 x Φ 22 x 0.5, Flat	1
16	500004A	Clutch Cap	1
17	450030-B	Cap Screw M6 x 16	1
18	250017-B	Washer Φ 6, Locking	5
19	250011	Circlip Φ 15	1
20	500005	Bolt M4 x 20	1
21	500006	Washer Φ 4, Flat	2
22	500007B	Gear Housing	1
23	500008	Cam Clutch Gear	1
24	500009A	Axis Support Bushing	1
25	410015	Sun Gear, Input	1
26	410008	Gear carrier assembly	1
27	410007A	Gear Ring II	1
28	410004	O-Ring Φ 100 x 1.9	1
29	410016	Drum Bushing	2
30	500010A	Hexagon Tie Bar 6 x 87mm	1
31	500011	Hexagon Socket Set Screw with Cone Point M5 x 8	1
32	500200	Drum Assembly	1
33	500012	Hexagon Shaft	1
34	450002	Spring, Coupling	1
35	400015-B	Winch Wires - Black	2
36	400016-B	Battery Wires - Black	2
37	250062	Wire Tap	2
38	250061	Terminal Protector	8
39	250032-B	Bolt M8 x 25	4

No	Part#	Description	Qty
40	250063-B	Washer Φ 8, Locking	4
41	250070-B	Washer Φ 8, Flat	4
42	100495	Mounting Channel	1
43	250033-B	Bolt M10 x 20	2
44	SE-RF	Roller Fairlead , POM Rollers	1
45	250035-B	Washer Φ 10, Locking	2
46	250036-B	Locking Nut M10	2
47	450028-B	Bolt M8 x 30	4
48	UTV-DRS	UTV Dash Mounted Rocker Switch	1
49	UTV-DRS-WH	UTV-DRS Wire Harness Assembly	1
50	250069-B	Bolt M6 x 1.0 x 20	2
51	250065-B	Bolt M6 x 25	4
52	250002-B	Washer Φ 6, Flat	4
53	250068-B	Locking Nut M6	4
54	AS-CONT	Contactora(11D)	1
55	SYN23-S38	Synthetic Rope 15/64" x 38ft	1
56	SE-HOOK	1/4" Clevis Hook - Black	1
57	250030-B	Strap - Black	1
58	250048-B	Bolt M5 x 25	2
59	250064	Hand Remote 3-Pin Connector	1
60	250071-B	Nut M5	2
61	250049-B	Washer Φ 5, Flat	2
62	250059-B	Hand Remote Assembly - Black	1
63	ATV-SCHS	Split Cable Hook Stopper	1
64	500016	Square Nut	4
65	500017	Elastic Cylindrical Pin Φ 3 x 14	4
66	250051-B	Screw M5 x 18	2
67	450026-B	Bolt M4 x 25	1
68	AS-CAPKIT	End Cap Assembly	1
69	500020	O-Ring Φ 13 x 2	2

Troubleshooting

Problem	Cause	Solution
Winch runs one way	Defective or Stuck Contactor	Tap Contactor to loosen plungers. Repair or Replace Contactor.
	Defective Switch Assembly	Replace Switch Assembly.
	Contactor Issue	Double check your winch wiring diagram to make sure all wires are correct. Refer to our contactor troubleshooting guide at www.kfiproducts.com under "Support" Call KFI Technical support
Contactor clicks but the winch does not run	Wired Incorrectly	Double check your winch wiring diagram to make sure all wires are correct. Hand remote / Dash rocker wires need to always be green to green and black to black.
		Call KFI Technical support
	Motor Issue	Call KFI Technical support
Motor runs but the cable is not moving	Brake Spring installed backwards	Call KFI Technical support
	Cable is not Attached to the Spool	Refer to our cable retie guide at www.kfiproducts.com under "Support"
	Winch is not engaged	Rotate the clutch cap to "engage"
Motor runs slowly or without normal power	Broken coupler or Stripped shaft	Replace Coupler / Shaft
	Worn Brushes	Get a replacement End-Cap #A-CAPKIT Call KFI Technical support
	Loose or corroded cable connections	Clean, Tighten, or Replace
Motor is overheating	Winch running time is too long	Allow winch to cool down periodically.

WARNING

PLOWING ALERT

READ BEFORE USING YOUR WINCH TO LIFT A PLOW

ATV winches are one of the most widely used methods of lifting a plow. When used properly they are a perfect match to any plow system but proper precautions and correct usage are required to prevent costly damage.

When lifting a plow using a winch it is very important to stop the plow before its full lift height is reached. Failure to do so will cause the winch to pull against itself and can, and most likely will, cause damage to the winch, your plow frame and your ATV.

Please remember that winch damage such as stripped gears, broken housings and bent and damaged parts caused by exceeding your plows lift height are not covered by warranty.

Special precautions should be taken when backing up or other instances where you may be distracted and forget your finger is still on the power-in switch.

A little practice and common sense will ensure a trouble free plow season and prolong the life of your equipment.



AS-50x KFI Products KAPPERS FABRICATING INC.

TWO YEAR LIMITED LIFETIME WARRANTY

Warranty Qualifications

Kappers Fabricating Inc. (KFI) will register this warranty upon receipt of your Warranty Registration Card and a copy of your sales receipt from one of KFI's resale locations as proof of purchase. Please submit your warranty registration and your proof of purchase within Fifteen (15) days of the date of purchase.

Repair/Replacement Warranty

KFI warrants to the original purchaser that mechanical components will be free of defects in material and workmanship for the usable lifetime of the product (180 days for commercial use); and electrical components will be free of defects in material and workmanship for (2) years (180 days for commercial use); from the original date of purchase. Transportation charges on product submitted for repair or replacement under this warranty are the sole responsibility of the purchaser. This warranty only applies to the original purchaser and is not transferable.

Do not return the unit to the place of purchase

Contact KFI's Technical Service and KFI will troubleshoot any issue via phone or e-mail. If the problem is not corrected by this method, KFI will, at its option, authorize evaluation, repair or replacement of the defective part or component at a KFI Service Center. KFI will provide you with a case number for warranty service. Please keep it for future reference. Repairs or replacements without prior authorization, or at an unauthorized repair facility, will not be covered by this warranty.

Warranty Exclusions

This warranty does not cover the following repairs and equipment:

Normal Wear

Winches need periodic parts and service to perform well. This warranty does not cover repair when normal use has exhausted the life of a part or the equipment as a whole.

Installation, Use and Maintenance

This warranty will not apply to parts and/or labor if this winch is deemed to have been misused, neglected, involved in an accident, abused, loaded beyond the winch's limits, modified, installed improperly or wired incorrectly to any electrical component. Normal maintenance is not covered by this warranty.

Other Exclusions

- The winch cable or synthetic rope.
- Cosmetic defects such as paint, decals, etc.
- Accessory parts such as storage covers.
- Misuse, abuse, neglect, Acts of God, terrorism and causes beyond the control of KFI.
- Problems caused by parts that are not original Kappers Fabricating Inc. parts.
- Cable Stacking and Water Submersion or Damage Caused by Water.

Warranty Procedure

1.) Contact KFI Technical support to acquire a Return Authorization (RA) number. 2.) KFI may request additional materials (such as original sales receipt, date of purchase, technical details, or photos of Product condition) prior to issuing an RA number. 3.) At the discretion of KFI, Buyer shall mail, ship, or otherwise deliver to KFI the Warranted Product, at the address noted below.

Limits of Implied Warranty and Consequential Damage

Kappers Fabricating Inc. disclaims any obligation to cover any loss of time, use of this product, freight, or any incidental or consequential claim by anyone from using this winch. THIS WARRANTY IS IN LIEU OF ALL OTHER WARRANTIES, EXPRESS OR IMPLIED, INCLUDING WARRANTIES OF MERCHANTABILITY OR FITNESS FOR A PARTICULAR PURPOSE

A unit provided as an exchange will be subject to the warranty of the original unit. The length of the warranty governing the exchanged unit will remain calculated by reference to the purchase date of the original unit.

This warranty gives you certain legal rights which may change from state to state. Your state may also have other rights you may be entitled to that are not listed within this warranty.

Warranty

Contact Information

Address

KFI Products
Winch Customer Service
P.O. Box 32
721 Sata Drive
Spring Valley, MN 55975

Corporate:

Kappers Fabricating Inc.
1015 Industrial Dr.
P.O. Box 32
Spring Valley, MN 55975

Customer Service

Mon – Thur 8:00 AM – 5:00 PM (CST/CDT)
Fri 7:00 AM – 1:00 PM (CST/CDT)
Toll Free: 1-877-346-2050 Option #1
Fax no.: 1-507-346-2010
sales@kfiproducs.com

Technical Service

Mon – Thur 8:00 AM – 5:00 PM (CST/CDT)
Fri 7:00 AM – 1:00 PM (CST/CDT)
Toll Free: 1-877-346-2050 Option #2
tech@kfiproducs.com

Agreement

By purchasing and/or using any item from KFI and/or its parent company, the purchaser acknowledges to be at least 18 years of age. Purchaser also acknowledges that winch products are inherently dangerous and hazardous, and that use of the product involves the risk and danger of serious bodily injury including, but not limited to, disability, paralysis, dismemberment and death. Additional risks may exist that may not be readily foreseeable.

Purchaser agrees to comply with all applicable laws governing the use of the product, and to observe all appropriate safety precautions, including the wearing of appropriate protective gear and clothing, and operating the product safely and under safe conditions.

Purchaser fully accepts and assumes responsibility for all such risks, losses, costs, and damages incurred as a result of the use of the product, whether by purchaser or anyone using the product with or without purchaser's permission.

Your purchase of the product shall constitute your release and indemnity in favor of KFI and/or its parent company, its shareholders, officers, directors and employees from any and all claims or injuries of every kind resulting from use or operation of the product, including costs and attorney's fees incurred in connection therewith.

⚠ DANGER

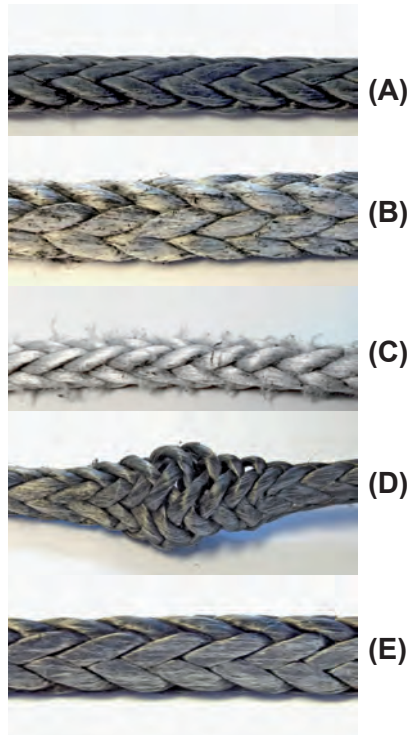
Sharp edges and rough surfaces will shorten cable life. Inspect the cable and protective sleeve before use. Replace cable immediately if the cable has cut strands, fused or melted fibers, odd stiff sections, chemical contaminated, flat areas or lumps that cannot be eliminated after flexing the cable.

⚠ WARNING

Do not tie the cable to secure a load or connect a broken cable. Do not expose the cable to chemicals or heat sources. Do not run the cable over sharp edges or rough surfaces.

Synthetic Winch Cable Inspection:

- The cable will have a smooth finish when new (A).
- The outer surface of the cable will appear slightly fuzzy (B) after normal use. This fuzziness is normal and will help protect the fibers below.
- Once approximately 25% of the outer fibers shows wear (C) it must be replaced.
- Inspect the inner and outer fibers. To inspect the inner fibers, open the strands of the cable by compressing the cable (D) and look for powdered fiber or abrasion (sign of internal wear). Consider the amount of wear on the internal fibers when determining the percent of wear for replacement.
- Glossy or glazed sections in the cable (E) are usually caused by compression from the cable being wound on the winch drum or through a pulley block. This is usually considered normal.
- A sign of heat damage is when you compress (D) the glazed section (E) of the cable and it remains hardened. In this case the cable must be replaced.



Prolonging the life of your synthetic cable:

Exercising proper care to prolonging the life of your cable is your responsibility

1. **Minimize Cable Abrasion.** Use the supplied protective sheath when the cable comes in contact with trees, rocks or other sharp abrasive objects. This sheath is designed to stay in position while the cable slips through it during use.
2. **Keep the Cable Clean.** Keep you cable clean as dirt, sand and debris will cause abrasion. Use the protective sheath to cover the cable on the spool once cable is in the stowed position.
3. **Avoid Sharp Bends.** If cable is angled at sharp degrees it will decrease the strength of the cable under load and can cause cable damage or failure.
4. **Correct Spool winding.** When re-spooling cable without load it is always better to have someone apply load to the line while you reel it in evenly. Respool the cable evenly and tightly on the drum. If cable is wound loosely it may cause the cable to work it way down to the drum and wedge itself under other layers.
5. **DO NOT Grease or Oil the cable.**



1-877-346-2050

KFI Products
P.O. Box 32
721 Sata Drive
Spring Valley, MN 55975
www.kfiproducts.com

Made in China

©2019 Kappers Fabricating Inc.

Corporate Office:
Kappers Fabricating Inc.
P.O. Box 32
1015 Industrial Drive
Spring Valley, MN 55975 USA