

5301688
MODEL: ATVBK-3026
BOOMLESS NOZZLE KIT FOR ATV MOUNTING
ASSEMBLY / OPERATION INSTRUCTIONS / PARTS

TECHNICAL SPECIFICATIONS

- 30 Ft. Spray Coverage
- Corrosion Resistant Nozzles

CAUTION: Always check the vehicle load rating before using this sprayer. Care must be taken not to tip the vehicle over backwards, especially when starting or accelerating.

ASSEMBLY

This nozzle kit is partially assembled at the factory. Assembly may be completed by following these steps.

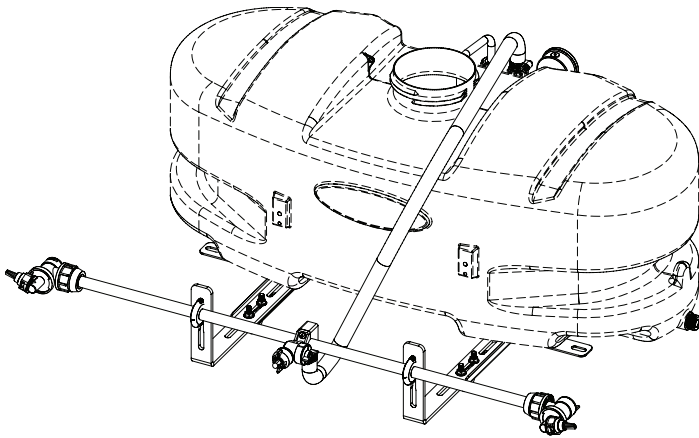
1. Attach the tank to the brackets as shown in the exploded view drawing.
2. Place the sprayer onto the carrier rack of the ATV. Use the u-bolts and hardware to secure the tank mount to the rack.
3. Connect the boom mounting brackets to the tank mounting brackets with hardware provided as shown.
4. Install all parts of the boom assembly to the boom brackets as shown in the exploded view drawing. Note: Nozzles should be 33" above the spraying surface when the unit is mounted onto the ATV. The tank should be empty and the driver should not be sitting on the ATV.
5. An additional set of plumbing fittings may be included with your boom kit. These may or may not be used. Fig. B shows how these fittings will attach to your sprayer, providing your sprayer has the 12V pump mounted on the "top" of your tank. If your sprayer has the manifold assembly off the outlet side of the pump, you probably will not need to utilize these fittings.

OPERATION

- The 3 nozzles are fixed on 17 1/2" spacing.
- All three nozzles spraying at the same time will allow a maximum coverage of 30 ft. Overlapping of the ends of the spray pattern will not be needed.
- The center nozzle will cover a 80" swath.
- Each of the three nozzles has a means of shutting down, so you may choose the coverage that is needed. See "valve shut-off/check valve knob removal" information later in this manual.

USING THE BOOM NOZZLES

- Four things must be considered before spraying with the boom.
 1. How much chemical must be mixed in the tank.
 2. Rate of spray (gallons per acre to be sprayed).



BEFORE RETURNING THIS PRODUCT
FOR ANY REASON, PLEASE CALL
1-800-831-0027

IF YOU SHOULD HAVE A QUESTION OR
EXPERIENCE A PROBLEM WITH YOUR
FIMCO INDUSTRIES PRODUCT:
1-800-831-0027

BEFORE YOU CALL, PLEASE HAVE THE
FOLLOWING INFORMATION AVAILABLE:
SALES RECEIPT & MODEL NUMBER. IN MOST
CASES, A FIMCO INDUSTRIES EMPLOYEE CAN
RESOLVE THE PROBLEM OVER THE PHONE.

GENERAL INFORMATION

The purpose of this manual is to assist you in operating and maintaining your lawn and garden sprayer. Please read it carefully as it furnishes information which will help you achieve years of dependable trouble free operation.

WARRANTY / PARTS / SERVICE

Products are warranted for one year from date of purchase against manufacturer or workmanship defects.

Your authorized dealer is the best source of replacement parts and service. To obtain prompt, efficient service, always remember to give the following information:

1. Correct part description and part number.
2. Model Number of your sprayer.
3. Serial Number of your sprayer.

Part description and part numbers can be obtained from the illustrated parts list section of this manual.

Whenever you need parts or repair service, contact your distributor / dealer first. For warranty work always take your original sales slip, or other evidence of purchase date, to your distributor / dealer.



WWW.FIMCOINDUSTRIES.COM

1000 FIMCO LANE • P.O. BOX 1700 • NO. SIOUX CITY, SD 57049
TOLL FREE: 800-831-0027 • TOLL FREE FAX: 800-494-0440
Form No. 1424 (5004864 9/07) Printed In U.S.A.

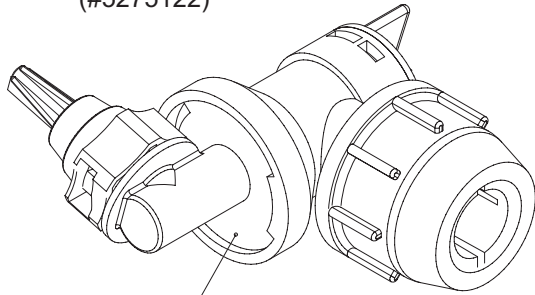
3. What pressure (P.S.I.) will be used.
4. Speed traveled (M.P.H.) while spraying.

- Refer to the chemical label to determine the chemical mixture.
- See the tip chart to determine the pressure to be used. The chart will also show the speed used when spraying.
- Start the pump and open the valve to the boom nozzles.
- Check the spray pattern. Usually you can see the coverage better on solid concrete surface, such as a driveway.
- The boomless nozzles should be 33" above the objects being sprayed.

CALIBRATION

Chemical labels may show application rates in gallons per acre, gallons per 1000 square feet, or gallons per 100 square feet. You

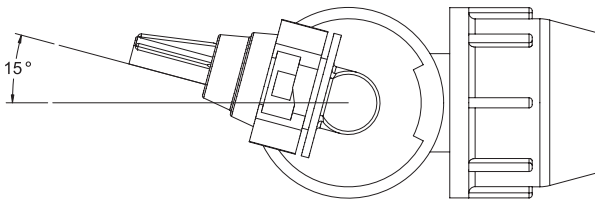
End Nozzle Information
(#5275122)



This nozzle mounting stem has a ratcheting motion.

**** Each "click" of the ratcheting motion is approx. 15° ****

For proper/optimal spray coverage, the nozzle must be at a 15° angle



The 15° angle shown will prevent the outer nozzles from overlapping with the center nozzle.

Rate Chart for Boomless Nozzle (Set of 3)

Gallons per Acre Based on Water - 17 1/2" Spacing								
Note: The same figures are used for 1, 2, or 3 nozzles.								
Pressure P.S.I.	Capacity G.P.M. (for 3 Nozzles)	1 MPH	2 MPH	3 MPH	4 MPH	5 MPH	6 MPH	8 MPH
20	1.68	28.0	14.0	9.4	7.0	5.6	4.7	3.5
30	2.05	34.4	17.2	11.4	8.6	6.9	5.7	4.3
40	2.40	39.6	19.8	13.2	9.9	7.9	6.6	5.0

Gallons per 1000 Sq. Ft. Based on Water - 17 1/2" Spacing								
Pressure P.S.I.	Capacity G.P.M. (for 3 Nozzles)	1 MPH	2 MPH	3 MPH	4 MPH	5 MPH	6 MPH	8 MPH
20	1.68	0.64	0.32	0.21	0.16	0.13	0.11	0.08
30	2.05	0.78	0.39	0.26	0.20	0.16	0.13	0.10
40	2.40	0.90	0.45	0.30	0.23	0.18	0.15	0.12

Gallons per 100 Sq. Ft. Based on Water - 17 1/2" Spacing								
Pressure P.S.I.	Capacity G.P.M. (for 3 Nozzles)	1 MPH	2 MPH	3 MPH	4 MPH	5 MPH	6 MPH	8 MPH
20	1.68	0.064	0.032	0.021	0.016	0.013	0.011	0.008
30	2.05	0.078	0.039	0.026	0.020	0.016	0.013	0.010
40	2.40	0.090	0.045	0.030	0.023	0.018	0.015	0.012

MPH = Miles Per Hour / FPM = Feet Per Minute / PSI = Pounds Per Square Inch / GPM = Gallons Per Minute

** The rate of spray as shown in the chart will remain the same with 1, 2, or 3 Nozzles. **
The only difference will be with the width of the spray swath.

will note that the tip chart above shows all three of these rating systems.

Once you know how much you are going to spray then determine (from the tip chart) the spraying pressure (PSI), and the spraying speed (MPH).

Conditions of weather and terrain must be considered when setting the sprayer. Do not spray on windy days. Protective clothing must be worn in some cases. **Be sure to read the chemical label carefully.**

If the vehicle does not have a speedometer, determining the proper speed of the tractor can be done by marking off 100, 200 and 300 feet. The speed chart indicates the number of seconds it takes to travel the distances. Using a watch or stop watch for time, set the throttle and with a running start travel the distances. Adjust the throttle until you travel the distances in the number of seconds indicated by the speed chart. Once you have reached the throttle setting needed, mark the throttle location so you can stop and go again (returning to the same speed).

Speed Chart

Speed in M.P.H. (Miles Per Hour)	Time Required in Seconds to Travel a distance of;		
	100 ft.	200 ft.	300 ft.
1.0	68	136	205
2.0	34	68	102
3.0	23	45	68
4.0	17	34	51
5.0	14	27	41
6.0	11	23	34
7.0	9.7	19	29
8.0	8.5	17	26
9.0	7.6	15	23
10	6.8	14	20

Add water to the tank and drive to the starting place for spraying. When you are ready to spray, turn the boom valve to the "on" position. This will start solution spraying from the tips. The pressure will decrease slightly when the boom is spraying. Adjust the spraying pressure by operating the bypass valve.

After testing, add water and chemical to the tank. Adjust the pressure and spray as you did in the testing procedure.

AFTER SPRAYING

After use fill the sprayer part way with water, start the sprayer and allow clear water to be pumped through the plumbing system and out through the spray nozzles.

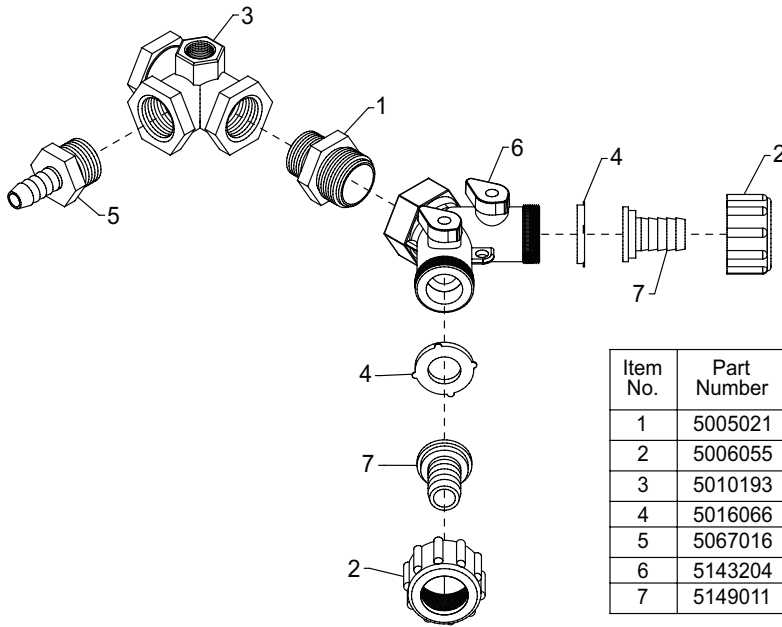
Refill the tank about half full with plain water and use a chemical neutralizer such as Nutra-Sol or equivalent and repeat cleaning instructions above. Flush the entire sprayer with the neutralizing agent. Follow the chemical manufacturers disposal instructions of all wash or rinsing water.

Remove tips from the boom. Wash tips thoroughly with water or cleaning solution (appropriate for chemical used). Blow out orifice, clean and dry. If orifice remains clogged, clean it with a fine bristle (not wire) brush, or with a toothpick. Do not damage the orifice. Water rinse and dry tips before storing.

WINTER STORAGE

Drain all water out of sprayer paying special attention to pump, handgun & valve. These items are especially prone to damage from chemicals and freezing weather.

The sprayer should be winterized before storage by pumping a solution of RV anti-freeze through the entire plumbing. Proper care and maintenance will prolong the life of the sprayer.



Plumbing Sub-Assembly
#5275118

Item No.	Part Number	Qty	Description	List Price
1	5005021	1	Nylon Adapter, 1/2" MNPT x 3/4" MGHT	.61
2	5006055	2	Nylon Swivel Nut, 3/4" FGHT	.38
3	5010193	1	Nylon Tee, 1/2" FNPT w/1/4" Port (Gauge)	3.31
4	5016066	2	Garden Hose Washer	.20
5	5067016	1	Nylon Fitting, 1/2" MNPT x 3/8" HB	.49
6	5143204	1	Dual-Shut-Off Y-Valve, 3/4" GHT	4.38
7	5149011	2	Nylon Swivel, 1/2" Flat Seat Hose Barb	.37

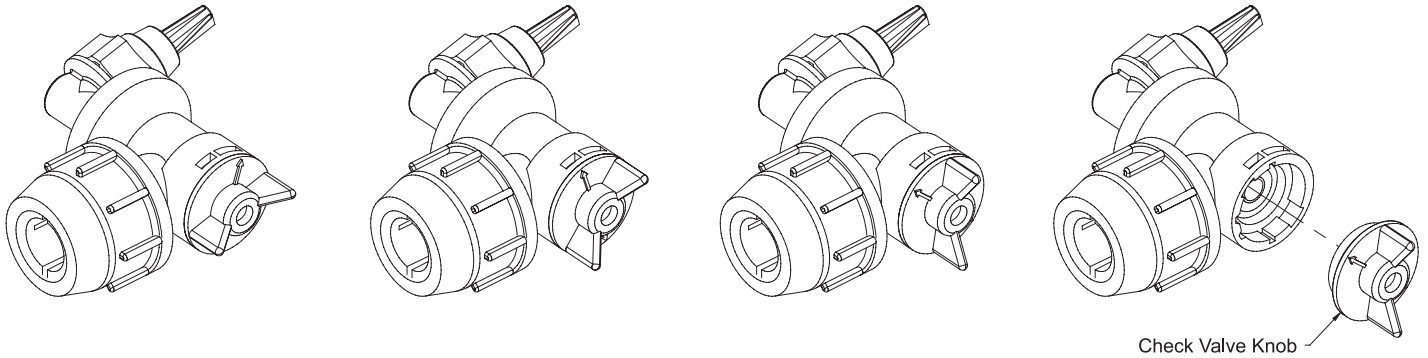
VALVE SHUT-OFF / CHECK VALVE KNOB REMOVAL

Valve "Open"

Valve "Closed"

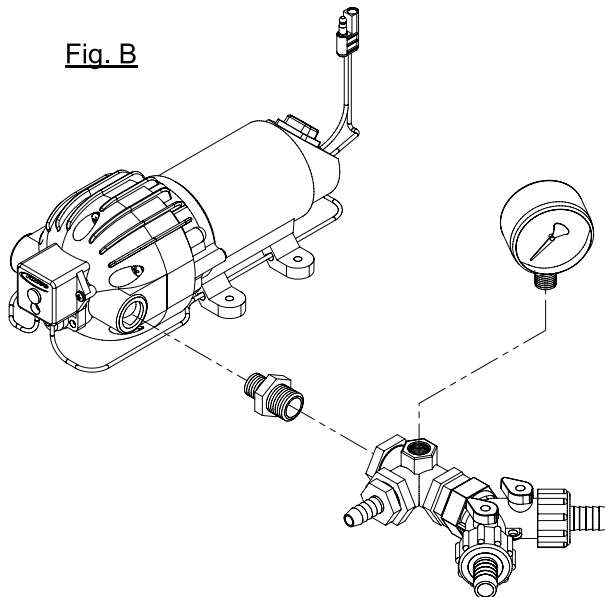
Service Position

Eliminate line pressure, then pull out to check diaphragm condition.

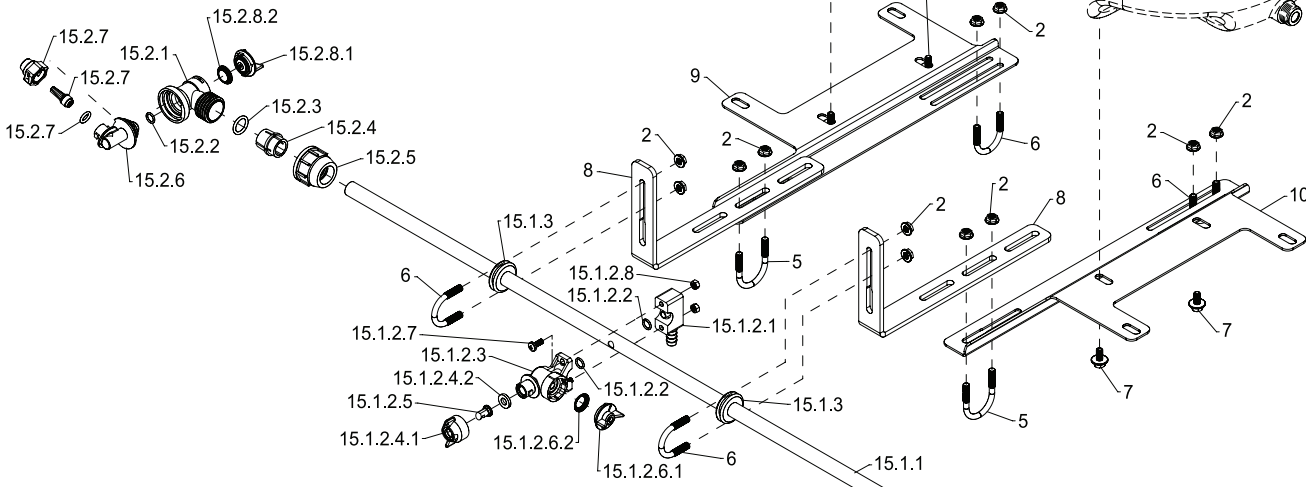
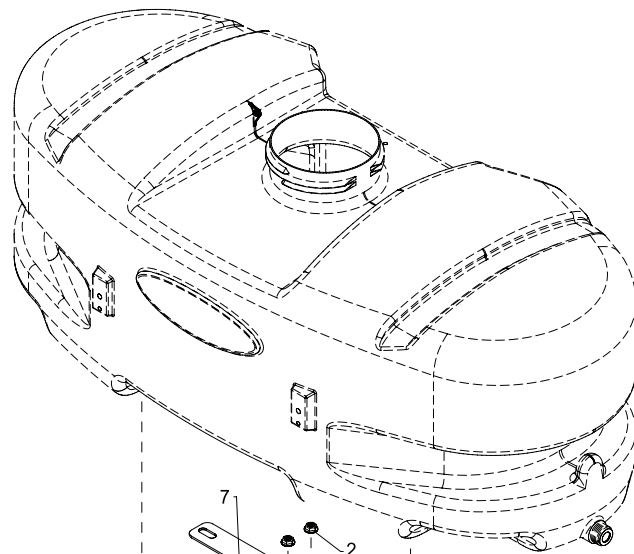


Note: The check valve & diaphragm can fall out during transport, if the knob is not turned to the "ON" or "OFF" position.

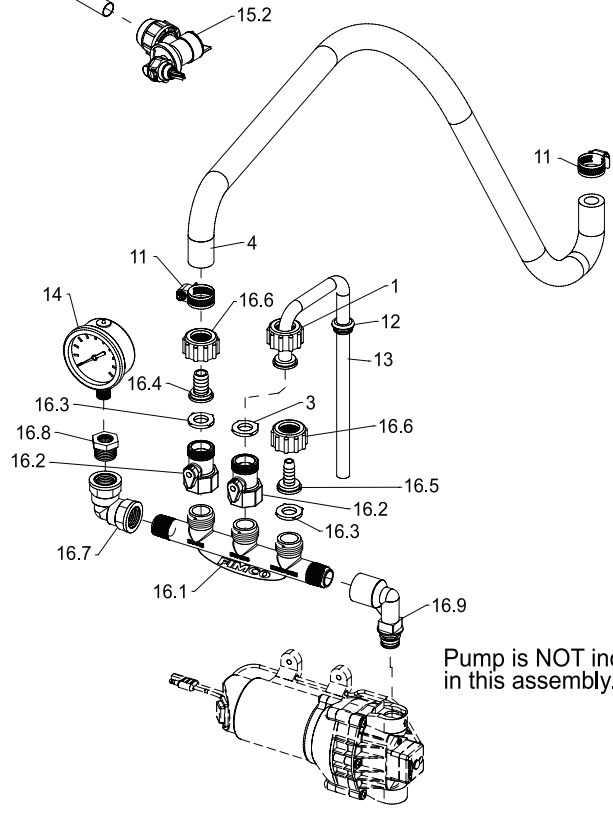
Fig. B



Exploded View/Parts List: ATVBK-3026 (5301688)



Item No.	Part Number	Qty	Description	List Price
1	5006209	1	Poly Knurled Swivel Nut, 3/4" FGHT	.38
2	5006307	12	5/16"-18 Hex Whiz (Flange) Locknut	.09
3	5016066	1	Garden Hose Washer	.20
4	5020389	1	Hose, 1/2"-1 Brd. x 43"	5.78
5	5034065	2	Round U-Bolt, 5/16"-18 x 1 1/2" x 2 3/16"	1.15
6	5034220	4	Round U-Bolt, 5/16"-18 x 1 5/16" x 1 3/4"	.50
7	5034531	4	5/16"-18 x 5/8" Flange Lock Screw	.44
8	5038665	2	Boom Mounting Bracket	6.18
9	5038667	1	Tank Mounting Plate (L.H.) (ATV)	11.06
10	5038725	1	Tank Mounting Plate (R.H.) (ATV)	11.06
11	5051022	2	Hose Clamp, 1/2"	.62
12	5075018	1	Grommet	1.00
13	5100359	1	Poly Bypass "J" Hose (3.8 Pumps & 2.1 [25] Gallon)	1.95
14	5167031	1	Gauge, Liquid-Filled, 0-100# p.s.i.	14.50
15	5275260	1	"Wet Boom" Assembly	159.00
15.1	5275712	1	Wet Boom Sub-Assembly	
15.1.1	5100316	1	Boom Tube	17.55
15.1.2	5275123	1	Center Nozzle Assembly (Wet Boom)	15.96
15.1.2.1	5051137	1	Hose Barb Saddle	3.25
15.1.2.2	5072509	2	O-Ring	.49
15.1.2.3	5002500	1	Body	5.99
15.1.2.4	5274862	1	Center Boomless Nozzle Cap w/Gasket	1.99
15.1.2.4.2	5016157	1	Seat Washer	.40
15.1.2.5	5018329	1	Red Spray Tip	6.99
15.1.2.6	5088024	1	Valve Knob/Boomless "Wet" Boom	3.18
15.1.2.6.2	5063255	1	Diaphragm	1.52
15.1.2.7	5117310	2	SS Screw, 6mm x 16mm (5/8")	.39
15.1.2.8	5006347	2	SS Nut, 6mm	.49
15.1.3	5075016	2	Rubber Grommet	4.00
15.2	5275122	2	End Nozzle Assembly (Wet Boom)	56.86
15.2.1	5002499	1	Nozzle Holder Body	6.00
15.2.2	5072518	1	Stem O-Ring	1.99
15.2.3	5072517	1	Compression O-Ring	.95
15.2.4	5010427	1	Compression Olive	1.50
15.2.5	5006348	1	Flynut	2.50
15.2.6	5132073	1	Nozzle Holder Stem	4.99
15.2.7	5274861	1	XI Spray Nozzle, Cap, & O-Ring	39.95
15.2.8	5088024	1	Valve Knob/Boomless "Wet" Boom	3.18
15.2.8.2	5063255	1	Diaphragm	1.52
16	5275516	1	Manifold Assembly	18.00
16.1	5143404	1	Manifold	8.99
16.2	5143188	2	#35 Nylon Shut-Off Valve	2.53
16.3	5016066	2	Garden Hose Washer	.20
16.4	5149035	1	Poly Swivel, 1/2" Hose Barb	.38
16.5	5149034	1	Poly Swivel, 3/8" Hose Barb	.48
16.6	5006209	2	Poly Knurled Swivel Nut, 3/4" FGHT	.38
16.7	5010236	1	Poly Elbow, 1/2" FNPT x 1/2" FNPT	1.87
16.8	5041073	1	Poly Reducing Bushing, 1/2" MNPT x 1/4" FNPT	1.26
16.9	5010430	1	Port Kit Elbow, 1/2" FNPT	2.49



Pump is NOT included in this assembly.

Pump/Manifold View