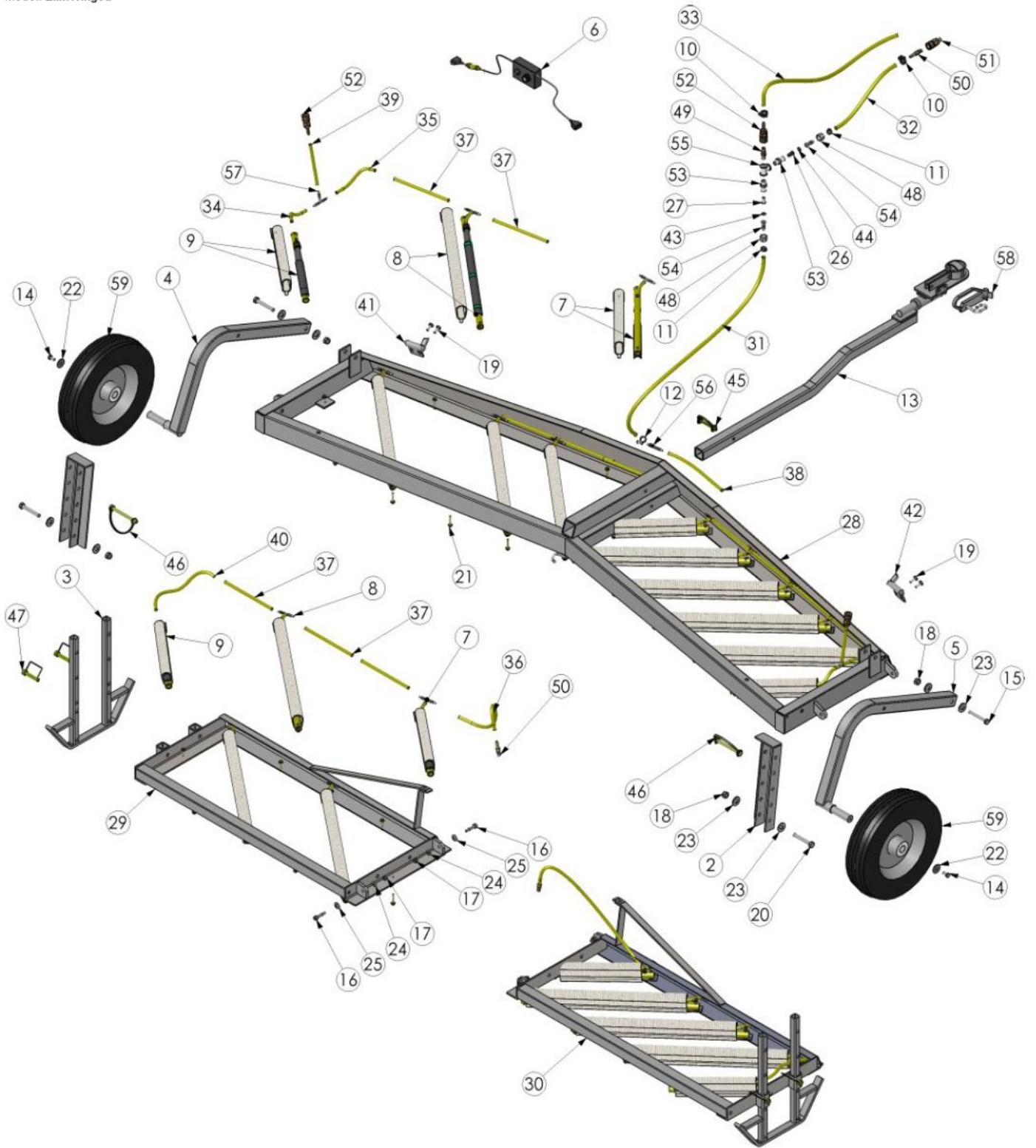


Parts Diagram

Eliminator Winged
Model: ElimWinged



Parts List

Item No.	Description	Part No.	QTY	Unit
1	Adjuster-Height-Eliminator-LH-ZP	1018-3920	1	EA
2	Adjuster-Height-Eliminator-RH-ZP	1018-3921	1	EA
3	Adjuster-Height-Eliminator WING SKID-GL	1018-3940	2	EA
4	Axle-Eliminator G2-LH-ZP	1082-2400	1	EA
5	Axle-Eliminator G2-RH-ZP	1082-2401	1	EA
6	Cable-Electrical-Loom-Eliminator-Control Box	1500-4300	1	EA
7	Carpet-Wiper Assy-Eliminator-Inner-300mm	1700-1300	4	EA
8	Carpet-Wiper Assy-Eliminator-530mm	1700-1530	14	EA
9	Carpet-Wiper Assy-Eliminator-Outer-300mm	1700-2300	4	EA
10	Clamp-Hose-Herbi-E-Ratchet-13.1 <> 15.1mm-Black-Nylon	2000-0013	2	EA

11	Clamp-Hose-Oetiker-Single Ear Stepless-14.5<->7.0mm-S/S	2000-2014	2	EA
12	Clamp-Hose-Worm Drive-Jubilee-8mm-Stainless	2000-4008	1	EA
13	Drawbar-Eliminator-ZP	2550-2300	1	EA
14	Fastener-Bolt-Hex-8.8 Grade-M8x16-ZP	2840-0816	2	EA
15	Fastener-Bolt-Hex-8.8 Grade-M10x75-ZP	2840-1075	1	EA
16	Fastener-Shoulder Bolt-Cap Head-Socket-M8x10x25-ZP	3077-1025	4	EA
17	Fastener-Nut-Nyloc-M8-ZP	3170-0008	8	EA
18	Fastener-Nut-Nyloc-M12-ZP	3170-0012	4	EA
19	Fastener-Set Screw-Hex-8.8 Grade-M8x20-ZP	3290-0820	4	EA
20	Fastener-Set Screw-Hex-8.8 Grade-M12x75-ZP	3290-1275	3	EA
21	Fastener-Tek Screw-Hex-12Gx45-Hitek-Fully Threaded-ZP	3300-6100	52	EA
22	Fastener-Washer-Flat-Fender-M8x32x1.5-ZP	3310-3008	2	EA
23	Fastener-Washer-Flat-Heavy-M12x32x3-Galv	3310-5012	8	EA
24	Fastener-Washer-Flat-M8-ZP	3310-6008	4	EA
25	Fastener-Washer-Flat-M10-ZP	3310-6010	4	EA
26	Filter-Nozzle Tip-50 Mesh-Plastic	3400-5400	1	EA
27	Filter-Nozzle-Tip-Incl Check Valve-50Mesh-5PSI-SS Ball-Plastic	3400-5410	1	EA
28	Frame-Wiper-Eliminator-Winged-GL	3500-7500	1	EA
29	Frame-Wiper-Eliminator Wing-LH-GL	3500-7600	1	EA
30	Frame-Wiper-Eliminator Wing-RH-GL	3500-7601	1	EA
31	Hose-Spray-Delivery-40 Bar-8.5mm ID-Yellow	4100-0008	1	EA
32	Hose-Spray-Delivery-40 Bar-8.5mm ID-Yellow	4100-0008	1	EA
33	Hose-Spray-Delivery-40 Bar-8.5mm ID-Yellow	4100-0008	1	EA
34	Hose-Spray-Delivery-7 Bar-6mm ID-PVC	4100-1006	2	M
35	Hose-Spray-Delivery-7 Bar-6mm ID-PVC	4100-1006	2	M
36	Hose-Spray-Delivery-7 Bar-6mm ID-PVC	4100-1006	1	M
37	Hose-Spray-Delivery-7 Bar-6mm ID-PVC	4100-1006	14	M
38	Hose-Spray-Delivery-7 Bar-6mm ID-PVC	4100-1006	1	M
39	Hose-Spray-Delivery-7 Bar-6mm ID-PVC	4100-1006	2	M
40	Hose-Spray-Delivery-7 Bar-6mm ID-PVC	4100-1006	2	M
41	4680-2300	4680-2300	1	EA
42	Latch-Eliminator Wing-RH-ZP	4680-2301	1	EA
43	Nozzle-Plate-Teejet-Orifice-0.052IN-SS	5300-4900	1	EA
44	Nozzle-Plate-Teejet-Orifice-0.063in-SS	5300-5100	1	EA
45	Pin-Locking-10x57mm-ZP	6100-4780	1	EA
46	Pin-Locking-11x100mm-ZP	6100-4800	2	EA
47	Pin-Locking-SQUARE-11x54x40mm-ZP	6100-4805	4	EA
48	Pipe-Fitting-Nut-Swivel-11/16UNFF-Plastic	6200-5550	2	EA
49	Pipe-Fitting-Quick Release-Male Connectorx1/4BSPM-Brass	6200-7200	1	EA
50	Pipe-Fitting-Quick Release-Male Connectorx8.5 Shank-Brass	6200-7210	3	EA
51	Pipe-Fitting-Quick Release-Valve-1/4BSPM-Brass	6200-7240	1	EA
52	Pipe-Fitting-Quick Release-Valve-Stopx8.5 Shank-Brass	6200-7250	3	EA
53	Pipe-Fitting-Reducer-11/16UNCMx1/4UNFM-Straight-Plastic	6200-7380	2	EA
54	Pipe-Fitting-Straight-10 Shank-Swivel-Suit Fly Nut-Plastic	6200-8220	2	EA
55	Pipe-Fitting-Tee-1/4BSPFx1/4BSPFx1/4BSPF-Plastic	6200-9100	1	EA
56	Pipe-Fitting-Tee-6 Shankx6 Shankx6 Shank-Plastic	6200-9130	1	EA
57	Pipe-Fitting-Tee-6 Shankx6 Shankx6 Shank-Plastic	6200-9130	2	EA
58	Tow-Coupling-Handle-Double Ended-1 7/8" x 50mm-ZP	8800-3800	1	EA
59	Wheel-Ribbed-350x8-4 Ply-3 Ribs-BW Series	9200-7500	2	EA