



OWNER'S MANUAL  
FOR



**SprayOn 500 SPRAYERS**  
**Flatdeck & Trailed**

C-Dax Ltd  
PO Box 1010, 145 Harts Road  
Tiritea, Palmerston North  
Ph: 06 354 6060  
Fax: 06 355 3199  
E-Mail: [sales@c-dax.co.nz](mailto:sales@c-dax.co.nz)  
[www.c-dax.co.nz](http://www.c-dax.co.nz)

# **SAFETY PRECAUTIONS**

## **TRAILED SPRAYERS**

### **AN IMPORTANT MESSAGE FOR OWNERS & OPERATORS OF C-Dax ATTACHMENTS/ACCESSORIES**

Be warned of the dangers of loading your vehicle in excess of its carrying capacity.

It is important to understand that any loads or attachments whether fastened to or placed on a vehicle will alter the stability or handling characteristics of that vehicle.

Spray tanks or other equipment must be filled only to a level where the gross weight is within the load limit of the vehicle.

Safety is a primary concern in the design, manufacture, sale, and use of spray tanks and other equipment. As manufacturers of spray tanks and other equipment we want to confirm to you, our customers, our concern for safety. We take this opportunity to remind you about the simple, basic and common sense rules of safety when using spray tanks and other equipment. Failure to follow these rules can result in severe injury or death to operators and bystanders.

It is essential that everyone involved in the assembly, operation, transport, maintenance and storage of this equipment be aware, concerned, prudent and properly trained in safety.

This also applies to equipment that is loaned or rented to someone who has not read the owner's manual and is not familiar with the operation of application equipment.

- NEVER EXCEED THE LOAD LIMIT CAPACITY OF THE ATV OR OTHER VEHICLE.
- ALL ATV AND TRAILED EQUIPMENT TYRES SHOULD BE INFLATED TO MANUFACTURERS RECOMMENDED OPERATING PRESSURES.
- PLEASE NOTE THAT FILLING THE SPRAY TANK OR OTHER EQUIPMENT COMPLETELY AND OR THE ATTACHMENT OF ADDITIONAL EQUIPMENT TO THE ATV MAY EXCEED THE ATV'S MAXIMUM LOAD CAPACITY AND IT IS NOT RECOMMENDED TO EXCEED MANUFACTURERS GUIDELINES
- CARGO SHOULD BE PROPERLY DISTRIBUTED AND SECURELY ATTACHED.
- REDUCE SPEED WHEN CARRYING CARGO OR PULLING A TRAILER OR TRAILED APPLICATION EQUIPMENT AND ALLOW GREATER DISTANCE FOR BRAKING.
- NEVER ALLOW ANYONE TO RIDE ON YOUR SPRAYER OR OTHER EQUIPMENT.
- ALWAYS FOLLOW THE INSTRUCTIONS IN THE OWNER'S VEHICLE MANUAL FOR CARRYING CARGO OR PULLING A TRAILER.
- PROPER MAINTENANCE IN LINE WITH MANUFACTURER'S RECOMMENDED MAINTENANCE PROCEDURES IS ESSENTIAL.
- BEFORE APPLYING CHEMICALS, READ THE LABEL OF THE CHEMICAL MANUFACTURER OR SUPPLIER FOR PERSONAL PROTECTIVE EQUIPMENT AND OPERATE AS RECOMMENDED.

THE SAFETY OF ALL CHEMICALS USED IN AGRICULTURE IS UNDER THE JURISDICTION OF A GOVERNMENT AGENCY, IE N.Z. MINISTRY FOR THE ENVIRONMENT; USA ENVIRONMENTAL PROTECTION AGENCY. FURTHER LOCAL GOVERNMENT OR STATE LAWS MAY APPLY.

#### **WARNING**

To reduce the chance of VEHICLE instability, it is recommended to exercise EXTREME care while spraying on a slope or hillside.

#### **CAUTIONS, WARNINGS and NOTES**

Throughout this document, text has been highlighted as warnings, cautions and notes.

**Warnings** are mandatory instructions. Failure to comply with these instructions may result in injury or damage.

**Cautions** are advisory. Failure to comply may result in poor operation or premature failure.

**Notes** are to assist with convenient operation of the equipment.

## SAFETY

Before attempting to install or operate the equipment, read and understand the manual thoroughly. Failure to comply with this instruction constitutes improper use and will invalidate the warranty.

Before using your pesticide, STOP, Read The Label

Mixing pesticides is a most dangerous time as it involves handling the concentrated material. For toxic compounds, use protective clothing such as overalls, hat, gloves, boots and respirator.

When using concentrated sprays, full protection is necessary.

When using diluted sprays, wear a hat, long-sleeved cotton overalls, and boots. If you use pesticides regularly, it is a good idea to always wear a respirator to avoid cumulative effect.

Other protection may be required. Check the label. It may have specific directions for the particular chemical.

Protective clothing should be properly cared for. Rinse heavily contaminated clothes in the open before washing in the laundry.

Wash and dry protective clothing every day, but keep them separate from other washing.

Respirators need special care. Clean your respirator after spraying. Use soapy water then rinse and allow drying completely before storing in a clean plastic bag. Replace canisters in respirator after eight hours use.

### **NOTE**

**For Honda motor operating instructions please refer the**  
**Honda owners manual which was supplied with the**  
**spray unit**

# C-Dax SprayOn 500 SPRAYERS

## OWNERS MANUAL

(Pt.No 2400-7205 Issue 8, May 2018)

### TABLE OF CONTENTS

SAFETY .....	3
DESCRIPTION .....	5
SPECIFICATIONS .....	5
OPTIONAL EQUIPMENT.....	5
WARRANTY AND LIABILITY .....	6
INSTALLATION & ASSEMBLY.....	8
THEORY OF OPERATION.....	9
CALIBRATING YOUR PRESSURE NOZZLE BOOM .....	9
Nozzle Tip Selection .....	10
OPERATION .....	11
Hand Gun Spraying.....	11
Pressure Nozzle Boom Spraying.....	11
ROUTINE MAINTENANCE .....	13
CLEANING .....	14
TROUBLE SHOOTING .....	15
PARTS DIAGRAMS.....	19
EQUIPMENT DECONTAMINATION PROCEDURES .....	30

### **CAUTION**

**The SprayOn 500 Trailed units utilize floatation tyres to dampen bumps. It is essential that these tyres are not over-inflated otherwise the unit will be exposed to excessive shock. The recommended tyre pressure is 5-7 psi.**

## DESCRIPTION

The C-Dax SprayOn 500 range features a 500 Litre effective tank capacity. The frames are manufactured of sturdy steel construction, and have mountings available for a range of C-Dax spray booms and accessories such as hose reels and foam markers.

All frames are finished in high quality coatings.

A high quality multi outlet pressure regulator is fitted as standard to all engine driven models.

The tanks are moulded from tough, high quality translucent UV stabilised polyethylene, molded in contents scale, and easy access lids and basket filters. All models have large capacity suction filters with removable elements.

12 Volt models are supplied with a 10.9 L/Min Flojet pump.

Engine Driven models are compatible with a range of medium pressure Imovilli diaphragm pumps up to 50L/Min.

## SPECIFICATIONS

(Specifications subject to change without notice)

### SprayOn 500L

Frame	Trailed, Zinc Plated steel
Wheels	22x11x8 Knobbly tubeless
Tyre pressure	7 psi
Drawbar	Dual strut- Rigid
Tow Coupling	1 7/8"
	Optional 50mm (Aus Models)
	Optional 50mm with swivel (UK Models)
Suspension	Triple-leaf spring, 370kg each
Tank Size	500 litre translucent UV stabilised polyethylene
Tank Vent	One way poppet valve
Filters	Filling filter basket
	In line suction filter
Shut off Valve	Inline valve (engine driven)
Pump Options	Flojet 10.9L/Min 60 psi 12A Max Current Draw
	Imovilli engine driven M35 - 39L/Min 580 psi
	M50 - 49L/Min 580 psi
Pump Oil	SAE 30 antifoam (Imovilli only)
Control Unit	12VDC CU2 (Optional 12V models)
	Imovilli (engine driven) CD10
Drive	Flojet 12V motor
	Imovilli engine driven Honda
Towing speed	15 Kph (Maximum recommended)

## OPTIONAL EQUIPMENT

Foam Marker 24LSingle	Pt.No.1075
Hose Reel Kit 50m/10mm with Spray Gun	Pt.No.1063
Hose Reel Kit 100m/10mm with Spray Gun	Pt.No.1064
Boom 4m ATV	Pt.No.1020
Boom 6m Superline	Pt.No.1043
Boom CDA 3.6m	Pt.No.1021
Boom CDA 5.4m	Pt.No.1022

## **1. WARRANTY AND LIABILITY**

### **Use of the equipment**

- 1.1 You must satisfy yourself as to the suitability of the equipment for your intended use(s) of the equipment.

### **Your relationship with the retailer**

- 1.2 Where you consider you have a warranty claim (or any other claim) in relation to the equipment, you must contact the retailer who sold you the equipment, not C-Dax directly. The retailer is responsible for liaising with C-Dax in respect of your claim.

### **Warranty**

- 1.3 C-Dax warrants to the original purchaser that the equipment is sold free from defects in materials and workmanship for a period of 12 months from date of first retail sale (6 months from date of first retail sale if the equipment is sold in the U.K.) subject to the terms set out below.
- 1.4 C-Dax will at its option repair or replace the defective equipment (or part of the equipment) or notify the retailer of the equipment to refund the purchase price for such defective equipment to you in the event of a breach of this warranty, subject to the terms set out below.

### **Liability**

- 1.5 Except for the warranty set out in clause 1.2 above, all warranties and representations (including those expressed or implied by law) in respect of the equipment or advice relating to the equipment provided to you by C-Dax are excluded to the extent permitted by law.
- 1.6 Notwithstanding anything else in this manual, C-Dax's maximum liability to you (in the event that such liability exists) in respect of any breach of warranty, any matter set out in this manual, or for defective equipment or advice relating to the equipment provided is limited at C-Dax's option to:
- (a) repairing or replacing the equipment (or part of the equipment); or
  - (b) notifying the retailer of the equipment to refund the price for the equipment paid by you.
- 1.7 Notwithstanding anything else in this manual, in no event will C-Dax be liable, whether in contract, tort (including negligence) or otherwise:
- (a) where you have altered or modified the equipment, misused or misapplied the equipment, or the equipment has been subjected to any unusual, excessive or non-recommended use, service or handling (including as set out in this manual);
  - (b) where the equipment is not transported, stored, handled or used in accordance with any directions given by C-Dax (or the retailer) to you (including as set out in this manual);
  - (c) where the equipment:
    - (i) has been subject to neglect, accident or hireage, or the damage arises from fair wear and tear, battery damage or chemical attack;
    - (ii) has been built to a customer's specifications; or
    - (iii) has been dismantled, repaired or serviced other than by an authorised service agent of C-Dax;
  - (d) for loss or damage caused by any factors beyond C-Dax's control; or
  - (e) for any loss of profit or revenue, or for any special, indirect, incidental or consequential damage, loss or injury of any kind suffered by you.

- 1.8 Where C-Dax elects to repair or replace the equipment it will use reasonable endeavours to do so as soon as practicable but will not be liable for any delay in doing so.
- 1.9 You agree that the transactions entered into between you and the retailer (and C-Dax) are for the purposes of trade and that, having regard to all relevant circumstances of the transactions, it is fair and reasonable that the provisions of the Consumer Guarantees Act 1993 (NZ) do not apply to those transactions to the fullest extent permitted by law.

# INSTALLATION & ASSEMBLY

## Pre Delivery Check

Remove Shrink Wrap. Check Major Components for missing or damaged parts (remove any contents from inside tank before filling)

- Frame
- Tank
- Lid
- Filter
- Wheels & Axle (Trailed only)

## Assembly

- Fit the wheels to the trailer (if trailed), using the wheel nut and washer fitted to the trailer stub axle. Ensure wheel nut is tight, and wheel is free to turn.
- Fit the mudguards to trailer guard brackets (if not already fitted) using the supplied rivets. Check that wheel is free to turn.
- Connect spraying device (boom, hose reel, or hose and gun) to the sprayer following additional instructions if applicable.

12 Volt pump:-

- Connect to power supply (ensure correct polarity)
- Ensure control unit pressure control is wound out (If control unit is fitted)
- Put water in tank (50-100 litres)
- Ensure filter valve is open
- Suction filter (bowl tight)
- Switch pump on
- Check for leaks in plumbing
- Run pump
- Open valve to boom (or handgun) and allow fluid to flow until all air is expelled from spray line.
- Ensure all nozzles spray evenly and there are no leaks
- Shut off pump and ensure all nozzles stop spraying and do not drip
- If boom or hose reel is fitted, check mounting bolts for tightness

Engine Driven pump:-

- Pump (Hose tails tight)
- Check spray pump oil level in pump sight glass ( $\frac{1}{4}$ –  $\frac{3}{4}$ ). Oil type SAE30 Anti Foam type
- Check engine oil level (fill to top of outer ring on filler neck). Oil type SAE 30
- Check engine fuel level
- Check spray pump accumulator pressure (0-2 bar boom spraying, 2-6 bar handgun spraying)
- Control unit and stand (clamps and hose tail tight) Gauge mount tight
- Suction filter (bowl tight)
- Put water in tank (50-100 litres)
- Ensure filter valve is open
- Ensure control unit pressure control is wound fully out (CCW) and dump valve set to 0 (dump position)
- Run pump at full rpm
- Ensure fluid flows in return line to tank and that there are no leaks
- Turn lever on to I (pressure position)
- Set Control unit pressure to 3 bar (45 psi) (See operating section for further control unit instructions)
- Open valve to boom (or handgun) and allow fluid to flow until all air is expelled from spray line.
- Ensure all nozzles spray evenly and there are no leaks
- Shut off control unit valve and ensure all nozzles stop spraying and do not drip
- If boom or hose reel is fitted, check mounting bolts for tightness



## THEORY OF OPERATION

Spray fluid is placed in the tank where it is drawn through a suction filter and pumped to a control valve (optional for 12V equipment if used in conjunction with an on-demand pump, standard for engine driven equipment). The excess flow from the valve is returned to the tank via the bypass hose. Fluid at a nominal pressure is pumped to the spray outlet via the spray hose.

If a boom is fitted, when the pressure in the spray lines reaches 0.7 Bar (10 psi), the diaphragm check valves at each nozzle body open allowing fluid to reach the spray tips.

If a hose reel is fitted fluid will pressurise the reel until the spray gun is operated.

The control unit has a pressure adjustment valve to regulate the spraying pressure with a maximum pressure relief valve.

When the dump valve on the control unit is operated, the pump output is allowed to return to the tank with reduced restriction. The resulting drop in pressure allows the DCVs in the boom to close and spraying will stop.

At the spray tip, fluid is atomized at the spraying pressure and the fluid is propelled toward the target at the tip angle.

Droplet size is controlled by the spraying pressure.

Application rate is controlled by tip size, and vehicle speed.

## CALIBRATING YOUR PRESSURE NOZZLE BOOM

Metric Version (litres, metres, kph)  
(\*Standard nozzle spacing 0.5 metres)

You will need to calibrate your sprayer to ensure the accurate application of chemical or liquid fertilizer. If too much chemical or liquid fertilizer is applied you will be wasting money! If too little is applied you may need to repeat the spraying, which will be wasting your money and time!

Chemicals are expensive. Repeat calibration frequently during the seasons to avoid disappointment.

To calibrate your sprayer you will need:

- a) nozzle calibrator or an accurate measuring flask
- b) watch or clock with seconds, or a stopwatch
- c) tape-measure
- d) calculator

NOTE: "Chemical" also refers to liquid fertilizers.

1. Measure time taken to travel 100m at the speed used for spraying

NOTE:  
Maximum Recommended Spraying Speed is 12 Kph.

2. Run Sprayer and record output from each nozzle (in mls) for the same time it took to travel 100m.

Calculate average flow per nozzle.

ie. Add individual nozzle output and divide by number of nozzles.

NOTE:  
Check any nozzle tip that is out by  $\pm 5\%$   
Discard any nozzle tip that is out by  $\pm 10\%$

3. Litres/ha =  $\frac{\text{Average Nozzle output (ml/nozzle)}}{500 \text{ nozzle spacing mm}} \times 100$

4. Chemical to add to tank

Litres of Chemical =  $\frac{\text{Water in Tank (L)}}{\text{L/ha (application Rate)}} \times \text{Label chemical rate/ha}$

HINT: If you want to spray one hectare, but a tank load covers two, then simply put in half the amount of chemical and water in the tank. Similarly if you want to spray half a hectare and a tank load covers two, then quarter the amount of chemical and water in the tank, and so on.

**Spray Tip Calibration Table**

Tip Ref Code	Pressure Bar	Flow L/min	6kph	8kph	10kph	12kph	14kph	16kph	18kph
110-SF-01 Orange	2.0	0.33	66	50	40	33	28	25	22
	2.5	0.37	74	56	44	37	32	28	25
	3.0	0.40	80	60	48	40	34	30	27
	3.5	0.43	86	65	52	43	37	32	29
	4.0	0.46	92	69	55	46	39	35	31
110-SF-015 Green	2.0	0.49	98	74	59	49	42	37	33
	2.5	0.55	110	83	66	55	47	41	37
	3.0	0.60	120	90	72	60	51	45	40
	3.5	0.65	130	98	78	65	56	49	43
	4.0	0.69	138	104	83	69	59	52	46
110-SF-02 Yellow	2.0	0.65	130	98	78	65	56	49	43
	2.5	0.73	146	110	88	73	63	55	49
	3.0	0.80	160	120	96	80	69	60	53
	3.5	0.86	172	129	103	86	74	65	57
	4.0	0.92	184	138	110	92	79	69	61
110-SF-03 Blue	2.0	0.98	196	147	118	98	84	74	65
	2.5	1.10	220	165	132	110	94	83	73
	3.0	1.20	240	180	144	120	103	90	80
	3.5	1.30	260	195	156	130	111	98	87
	4.0	1.39	278	209	167	139	119	104	93
110-SF-04 Red	2.0	1.31	262	197	157	131	112	98	87
	2.5	1.46	292	219	175	146	125	110	97
	3.0	1.60	320	240	192	160	137	120	107
	3.5	1.73	346	260	208	173	148	130	115
	4.0	1.85	370	278	222	185	159	139	123
110-SF-05 Brown	2.0	1.63	326	245	196	163	140	122	109
	2.5	1.83	366	275	220	183	157	137	122
	3.0	2.0	400	300	240	200	171	150	133
	3.5	2.16	432	324	259	216	185	162	144
	4.0	2.31	462	347	277	231	198	173	154
110-SF-06 Grey	2.0	1.96	392	294	235	196	168	147	131
	2.5	2.20	440	330	264	220	189	165	147
	3.0	2.40	480	360	288	240	206	180	160
	3.5	2.60	520	390	312	260	223	195	173
	4.0	2.80	560	420	336	280	240	210	187
110-SF-08 White	2.0	2.61	522	392	313	261	224	196	174
	2.5	2.92	584	438	350	292	250	219	195
	3.0	3.20	640	480	384	320	274	240	213
	3.5	3.46	692	519	415	346	297	259	231
	4.0	3.70	740	555	444	370	317	277	247

### Nozzle Tip Selection

Select desired nozzle flow/minute from chart • multiply by the number of nozzles. • equals total flow in litres/minute for whole boom (This should not exceed 2/3 of pump capacity for engine & PTO driven pumps).

# OPERATION

## Hand Gun Spraying

### 12 Volt Units

Switch on the pump switch. The pump will run for a short time then shut off.

Operate the spray gun trigger. Fluid will be sprayed from the adjustable spray tip and the pump will operate. If necessary adjust the spray tip to alter the spray pattern.

### All Units

- Add chemical mix into the tank at **knapsack** spraying rates recommended on chemical container
- Ensure control unit pressure control knob is wound fully out (CCW) and dump valve set to 0 (dump position) (engine driven models only)
- Run pump at full engine rpm
- Ensure fluid flows in return line to tank (engine driven models only)
- Turn dump valve lever on control unit to I (pressure position)
- Set Control unit pressure to required handgun setting.

### WARNING

To prevent damage to pump and control unit, do not exceed recommended maximum rated pressure on the spraying components.

- Open valve to hand gun, and allow fluid to flow until all air is expelled from spray line
- When spraying has finished, turn dump valve lever on control unit to 0 (dump position), and control unit pressure control is wound fully out (CCW)
- Proceed with rinsing procedures

### WARNING

To prevent premature failure of Imovilli spray pump diaphragms, pump speed **MUST BE** set between 400 and 550 RPM during operation. For engine driven equipment, operate at full engine RPM.

## Pressure Nozzle Boom Spraying

### 12-Volt Units

All spray booms supplied by C-Dax as accessories for 12 Volt sprayers are supplied with a quick release valve to allow convenient connection of either the spray gun or spray boom. Spray booms that require a bypass to divert fluid back to the tank, such as the CDA booms, are supplied with a bypass fitting to screw into the rear of the sprayer tank.

All spray booms intended for use 12 Volt sprayers are supplied with spray tips that will spray at approximately 2 bar (30 psi). The standard tip for each boom size is shown in brackets in the table below. Changing the tip size will alter the spraying pressure.

Nozzles	Minimum Tip Size (Approximately 2 bar spray pressure)	Maximum Tip Size (Approximately 1 bar spray pressure)
6	Yellow 02	Blue 03
8	Yellow 02	Blue 03

### All Units

- Add chemical mix into the tank at **pressure nozzle** spraying rates recommended on chemical container
- Ensure control unit pressure control knob is wound fully out (CCW) and dump valve set to 0 (dump position) (engine driven models only)
- Run pump at full rpm
- Ensure fluid flows in return line to tank (engine driven models only)
- Turn dump valve lever on control unit to I (pressure position)
- Set Control unit pressure to required pressure setting (nominally 1-4 Bar (15-60psi)).

**WARNING**

To prevent damage to pump and control unit, do not exceed the recommended maximum rated pressure on the spraying components.

**CAUTION**

To allow the spraying system to operate effectively, any engine driven spraying device should not exceed 2/3 of the maximum flow of the spray pump.

Example: 2.5 L/min x 12 nozzles = 30 L/min. 30 litres is more than 2/3 the capacity of the M35 pump so an M50 would be required, or the nozzle flow reduced.  
12 Volt equipment can safely utilise the full flow of the spray pump.

- Open valve/s to boom, and allow fluid to flow until all air is expelled from spray lines
- When spraying has finished, turn dump valve lever on control unit to 0 (dump position), and control unit pressure control is wound fully out (CCW)
- Proceed with rinsing procedures

**CAUTION**

To prevent premature damage to sprayer or spraying components, do not travel at excessive speeds while spraying. Spraying speeds must be matched to ground conditions. If ground is uneven or rough, **REDUCE SPEED.**

**WARNING**

To prevent premature failure of engine driven pump diaphragms, pump speed **MUST BE** set between 400 and 550 RPM during operation. For engine driven equipment, operate at full engine RPM.

**WARNING**

To prevent premature failure of 12 Volt pump diaphragms, pump must not be left with chemical sitting in the pump chamber. Rinse the pump with clean fresh water after each use.

# ROUTINE MAINTENANCE

## Filters

There are two filters in each sprayer fluid system. Each one must be checked and cleaned after each use. The tank strainer basket is retained by the lid to assist cleaning. Always clean the strainer before filling the tank with spray solution.

The suction filter is located between the tank outlet and the pump inlet. Carefully rinse each stainless steel mesh with a hose.

## 12V Models

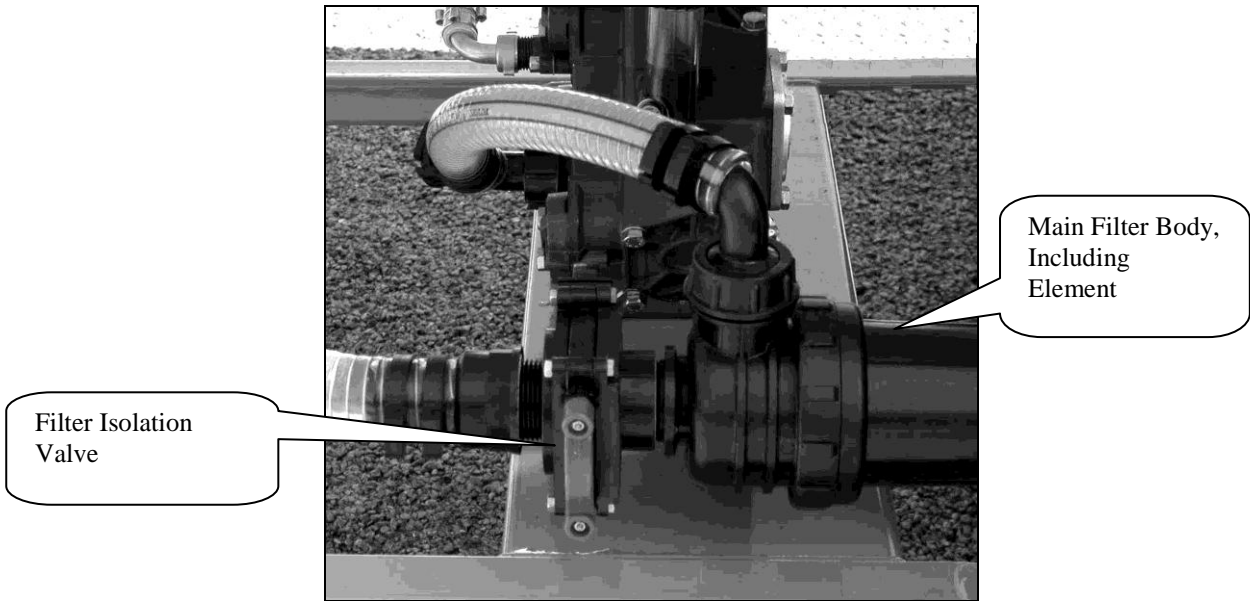
To remove filter element for cleaning, isolate the filter using isolation valve and remove the filter element.



## Engine Driven Models

All engine driven model sprayers are fitted with an isolation valve and suction filter for fluid filtration. To isolate the filter for cleaning, pull the red handle out on the knife valve to shut off tank flow and remove filter bowl and element.

When the filter bowl and element has been cleaned, refit and tighten the bowl nut and push in the knife valve handle.



# CLEANING

At the end of spraying, flush the system three times with fresh water. Include the spraying device/s and spray pump in this operation. Drain tank using drain bung.

Remove the strainer basket under the lid of the sprayer, rinse and refit.

Isolate filter using gate valve.

Remove the main filter element, clean and refit, ensuring that the filter bowl O-ring is in place, and the bowl nut is tight. Replace element if damaged or unable to be cleaned.

Clean the outside of the sprayer to remove any spray residue.

Lubricate the control unit levers

Remove and clean spray tips and nozzle filters on spray boom (if fitted).

## Routinely

- Check calibration of sprayer and boom (if fitted).
- Lubricate any moving boom or accessory parts.
- Check spray hoses for kinks or damage, replace if necessary.
- Check pump accumulator pressure (for engine driven units)
- Check the oil level and condition in the spray pump. (for engine driven units)

## Annually or End of Season

- Replace oil in Imovilli diaphragm spray pump (or after 200 hours, whichever ever comes first). Use SAE 30 antifoam oil
- Replace nozzles on spray boom
- Flush tank sprayer completely. Only water to be left in the system.

### WARNING

To prevent premature failure of spray pump, **DO NOT** leave water in the sprayer tank or pump when there is a risk of frost.

- Remove filters and check. Reassemble filters.
- Clean sprayer thoroughly and carefully. Apply CRC or other corrosion preventative to all electrical connections.
- Check pump for leaks and poor performance. If pump requires service have it done immediately. Any delay may result in very costly repairs.
- Unscrew regulator pressure adjustment stem 5 to 10 turns (engine driven models only).
- Have motors serviced if not operating satisfactorily. Motor spare parts are available from C-Dax.
- Repair all faults – see “Trouble Shooting”.

## TROUBLE SHOOTING

C-Dax Ltd and their distributors have a comprehensive parts inventory and capable service staff. Repairs should only be undertaken by C-Dax, or an authorised C-Dax service center.

Switch on but pump does not operate	1. Blown fuse	Check wiring and replace 15A fuse
	2. Pressure switch operated	Operate spray gun trigger
	3. Pressure switch failed	Replace pressure switch
	4. On/Off switch failed	Replace switch
Pump runs but does not stop.	1. Spray gun trigger open	Close trigger
	2. Boom connected	Switch off pump
	2. Air lock in pump	Operate spray gun trigger until all air is expelled from the pump and hose.
	3. Suction hose loose	Check and tighten all suction hose connections between pump inlet and tank.
	4. Dirt or spray residue in pump valves.	Replace valves.
	5. Blocked suction filter mesh.	Clean filter mesh.
Pump runs but pulses while pumping	1. Spraying pressure higher than the pump shut off pressure.	Reduce spraying pressure by opening the adjustable spray tip.
	2. Pump shut off pressure too low.	Increase pump shut off pressure.
Fluid leaks from drain holes in pump	1. Internal leak within pump head.	Remove pump for servicing.
Fluid unrecoverable in tank	Pump valves dirty or worn.	Replace valves.

### Engine Driven Spray Units Pump Trouble Shooting

- If pressure has to be regularly adjusted, check for air leaks in suction lines (Filters without "o-ring etc). **DON'T FORGET TO ADJUST PRESSURE DOWN WHEN NEXT FILLING OR PUMP WILL BE DAMAGED.**
- Pump does not Prime – Check that the suction hose packing is in good condition, that there is no air leaks in the suction hose and that the suction filter is not clogged.
- Irregular running of the pump – Clean valves of foreign particles and if necessary replace worn or damaged valves.
- Pump runs but lacks pressure – This depends on the regulating valve sealing or from the obstruction of the delivery valve by foreign particles or wear. Replace the regulating valve and clean and if necessary replace the delivery valve.
- Irregular delivery of water – (vibration of delivery pipe and pressure gauge) – check the seal on the suction hose and that the pressure of the air in the accumulator reaches the advised figure.
- Pump level leaks oil - Oil level too high. The leakage of oil mixed with water (whitish or thick) means the breakage of a diaphragm. In this case, stop the pump immediately, empty and drain it completely, wash inside with diesel oil to prevent oxidation of internal parts and replace diaphragm. After this operation it is necessary to expel the air bubbles formed between the piston and the diaphragm.

## Pump Features Imovilli M50

Points to note;

Accumulator Diaphragm

- Under the Red Dome
- Pressure = 40% operating pressure
- Evens out pulsing of pump outlet

End Diaphragms

- Located in end caps
- Bolts **MUST BE KEPT TIGHT** to prevent cracking of the housing. If they keep coming loose, check PTO shaft balance.
- Diaphragm is fitted edge in and writing out. Cylinder heads must be tight.
- If fluid is outside the diaphragm the damage is probably a mechanical problem e.g. PTO speed too low or failed or worn pistons rings (located under sleeve under end plate diaphragm).
- Hydraulic diaphragm pump – There is no contact between piston and diaphragm because cavity fills with oil.

Cylinder Head (End Plate)

- Suction diaphragm reduces “hammering” in pump.
- Pump contains four valves (two each side)
- Valves on PTO side are inlet (cap uppermost)
- Valves on pressure side are outlet (spring uppermost)
- Valve housings have “O”-rings
- Check for wear on stainless steel surfaces
- Check for wear on springs
- If either worn, replace valve assembly

## Simple Rules for Dismantling and Re-Assembling Imovilli Pumps

### Point 1

Before completely dismantling the pump, check that the causes for irregular running or non-function are not amongst those indicated in the maintenance and instructions booklet supplied with each pump.

### Point 2

To substitute diaphragms or internal moving parts, dismantle in the following order:

- A) Suction manifold(s) (according to the type of pump)
- B) Heads
- C) Diaphragms
- D) Cylinders
- E) Pump shaft and then all the moving parts

The exploded drawing in the instructions booklet and spare parts catalogue should be of assistance.

### Point 3

Carefully wash all the components with diesel oil, blow clean with compressed air, and then inspect all the parts:

- A) Diaphragms: By inspecting the diaphragm damage one can determine the type of problem.

If the diaphragm has a cut (on the oil side) of the same diameter as the piston, the pump has been running at a speed of less than 250-300 rpm.  
Whenever there is a diaphragm failure on the oil side, with a circular rupture corresponding to the size of the piston, one should always check that the piston/cylinder are not scored or worn. Otherwise, if this is the case, the new diaphragms would have a very short life since



the oil will not remain between the piston and diaphragm and the latter will work only mechanically (without hydraulic support).

If there is a circular or semi-circular cut on the center/outside of the diaphragm on the liquid side, the pump has worked under a vacuum due to: Blocked suction Equipment, - "soft" suction tubes which flatten during operation, - under dimensioned filter equipment, or a dirty filter.

All these result in too much oil gathering between the piston and the diaphragm, which causes the diaphragm to literally burst.

Diaphragms can be damaged also if the client will not release pressure when stopping/starting the pump.

N.B. The use of particularly corrosive or concentrated products can also alter the diaphragm structure causing swelling of the part in contact with the liquid and increasing the likelihood of failure.

- B) Cylinders: These should have no lines from the oil supply holes outwards (flange). If they do they should be replaced.
- C) Connecting Rods: There should be no excessive play between connecting rods/bearings and the connecting rods and their coupling rings. To check this, position shaft in a vice and mount bearings, connecting rods and rings. The play should not exceed 0,2-0,3mm.
- D) Crank Shaft: The shaft should have no lines or wear on the part where the connecting rods work.
- E) Shaft Seal Bearings: Premature and repeated impute shaft oil seal failure. If the seat and the shaft are not scored or worn and tolerances are ok (if not pump will leak also when sitting) the only reason beside normal wear of the seal (increased in dusty conditions) can be damage on the seal itself when placed into position. The keyway has very sharp edges and much attention should be given to this operation. It is always advisable to protect the seal with a thin pipe.
- F) Bearings: The bearings should be rust-free and have no excessive play. Check that the rollers and balls in the bearings are in perfect condition.
- G) Pistons: Replace the piston skirt if it is lined, especially on a low-pressure pump, which has no piston rings. Check that play on the piston pins is not excessive.
- H) Piston Rings: On the pumps equipped with these rings check that they have no marks or breakages. If necessary, replace.
- I) Check Valves: Carefully check the cage. If cracked or very worn on the fins, replace. The seats are suitable, even if worn, provided that the working surface (where the cap beats) has no cuts or deformations. The same applies to the valves. The springs should not be worn. It is preferable to change the whole valve assembly.

N.B. Excessive wear on the check valves on a pump which has only worked a few hours could be caused by the pump running at a higher speed than the maximum allowed (550 rpm) or by the presence of sand or other abrasive substances in the liquid pumped.

- J) Pressure Accumulator: It is always advisable to check the wear on the lower accumulator diaphragm and replace it if necessary. Inflate according to the working pressure as specified below:

Pump Pressure In Bars	Air Pressure in Bars
0 – 5	0 – 2
5 – 15	2 – 6
15 – 20	6 – 8

- K) When dismantling a pump, which has been working, it is advisable to replace the 'O' rings gaskets and seals in general to avoid the risk of having to check everything again.

## Point 4

To reassemble proceed as when dismantling but in reverse, bearing in mind the following:

- A) All the shoulder rings should be mounted with the bevel in correspondence with the shaft shoulder.
- B) On pumps with piston rings, these should be positioned on the piston with the gaskets diametrically opposite
- C) The cylinders should be re-mounted with at least 4 oil supply holes in the direction of the shaft rotation to assist air drainage, checking that the piston ring joints are not on line with the cylinder holes.
- D) The check valve must be positioned correctly. Looking at the suction manifold can help. The valve near the suction manifold must allow the liquid to enter the head; consequently the delivery valves should be mounted the other way up.

**NOTE:**

If all valves are mounted (by mistake) in the suction direction the pump will explode on starting. If mounted in the delivery direction, the pump will not be able to suck.

- E) Before re-mounting the heads, make sure that the moving parts turn freely. If they are stiff or tight, check the assembly of the moving parts to ensure that this has been carried out correctly. One can then proceed with assembling the heads.
- F) It is a good idea to remember that a plastic hammer can be useful in both dismantling and re-assembling the pump, but it should always be used with care.
- G) After completing assembly, fill with oil to the maximum tank capacity.  
**DO NOT REPLACE STOPPER.**
- H) Expel Air as follows:  
  
Turn the pump shaft slowly by hand keeping it inclined with respect to the transversal shaft. Bubbles of air will rise to the surface in the oil tank and the level will fall. Keep the oil level topped up so that air does not enter the pump. Continue for a few minutes until no more air bubbles are expelled from the tank. Top up the oil level to between  $\frac{1}{4}$  and  $\frac{3}{4}$  of the sight glass, then replace the oil stopper.
- I) To eliminate any further air trapped between the piston and the diaphragm, loosen the oil tank stopper, run the pump at 200-300 rpm for a few minutes without pressure. Check the oil level again and after screwing the stopper shut the pump can work normally.

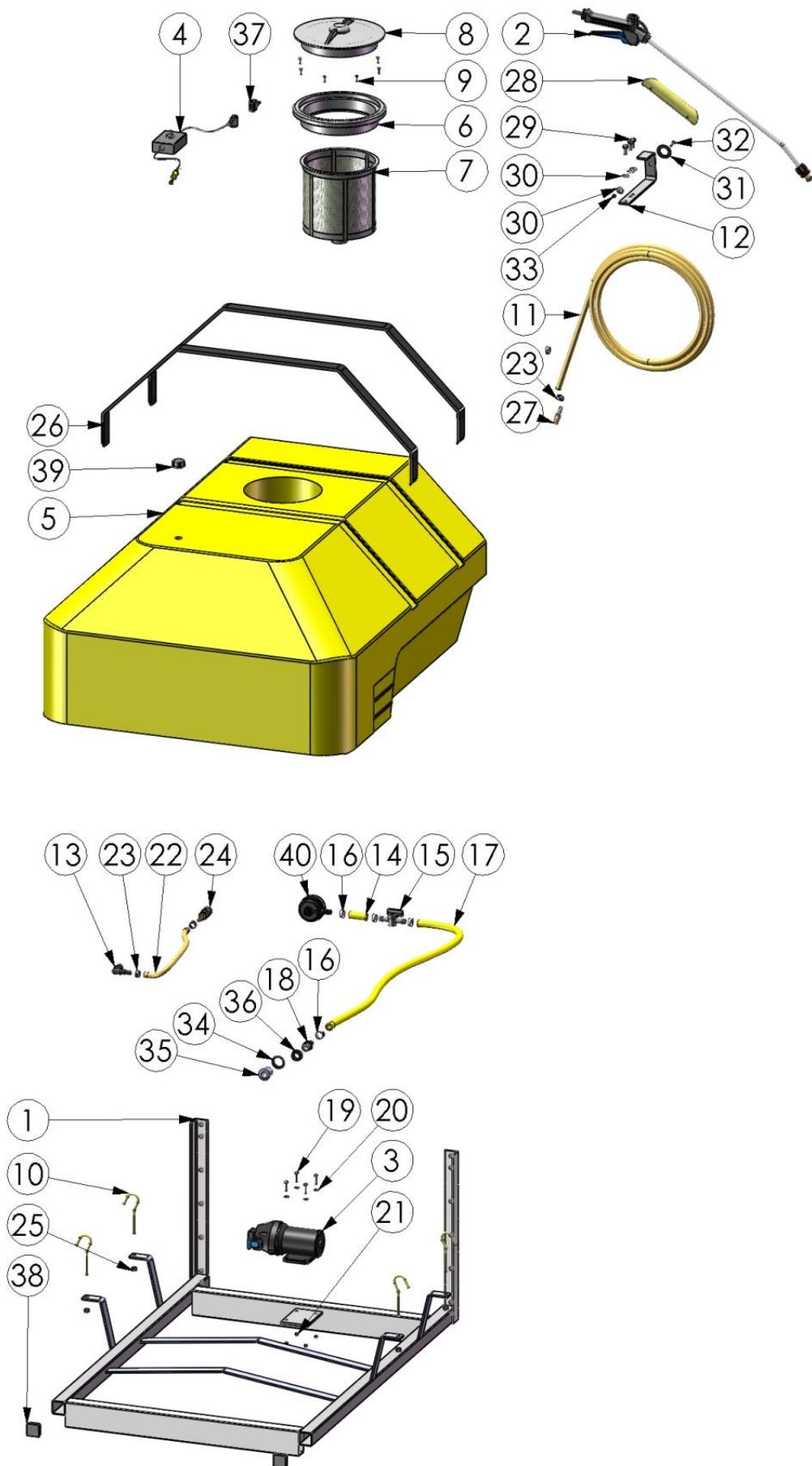
**CAUTION**

To allow the spraying system to operate effectively, any spraying device should not exceed  $\frac{2}{3}$  of the maximum flow of the spray pump (engine driven or PTO pumps only).

Example: 2.5 L/min x 12 nozzles = 30 L/min. 30 litres is more than  $\frac{2}{3}$  the capacity of the M35 pump so an M50 would be required, or the nozzle flow reduced.

# PARTS DIAGRAMS

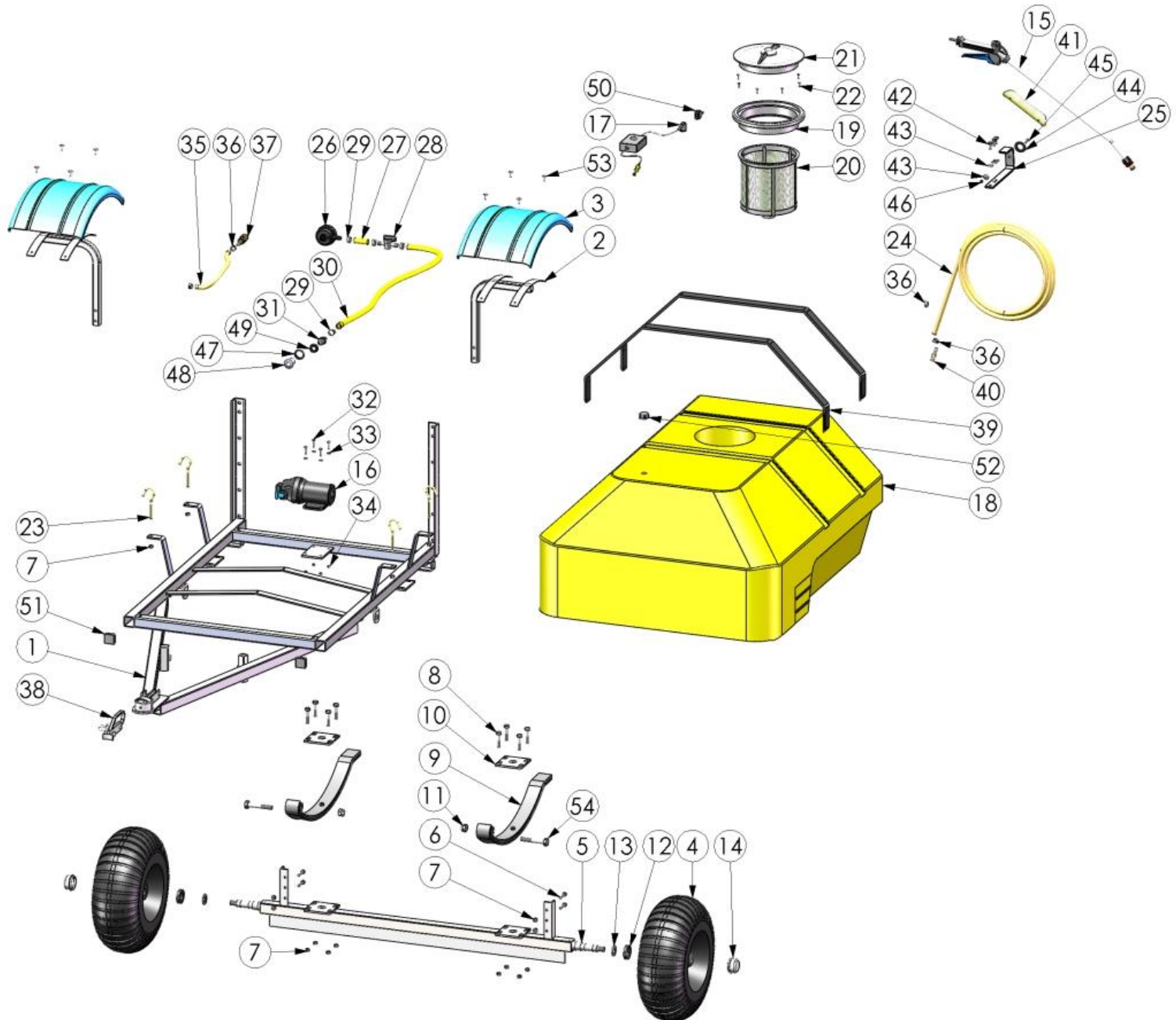
## SprayOn 500 Flatdeck Parts Diagram



## SprayOn 500 Flatdeck Parts List

Number	QTY	Part No.	Description
1	1	3500-3700	Frame-Flat Deck-F5-400L-GL
2	1	4000-5000	Hand Gun-SR-Lance-Complete-600mm-Cone Nozzle-Adjustable
3	1	6800-5500	Pump-Flojet-High Flow-10.9LPM-Quad Ports
4	1	1500-3000	Cable-Electrical-Loom-1 Switch Box-3.0M
5	1	7500-4355	Rota-Tank-500L-Spray-Yellow-MDPE-Horizontal
6	1	5000-1650	Lid-Tank-D255-Ring Only-Incl Gasket
7	1	3400-1120	Filter-Basket-D255-204x185x240mm
8	1	5000-1600	Lid-Tank-D255 Bare-Vented-Black-Nylon
9	8	3070-0300	Fastener-Machine-Screw-CSK-8Gx3/4-Pozi-Stainless
10	4	4085-1010	Hook-Bolt-Threaded-M8-Slimline-ZPG
11	1	4100-0008	Hose-Spray-Delivery-40 Bar-8.5mm ID-Yellow (10m)
12	1	4085-4060	Hook-Hose-SO500-ZP
13	1	6200-2980	Pipe-Fitting-Flojet-Elbow-10 ShankxQuad Port Pump-Nylon
14	1	4100-1013	Hose-Spray-Delivery-7 Bar-13mm ID-PVC
15	1	8900-8410	Valve-Tap-Inline-13 Shankx13 Shank-Black-Nylon
16	4	2000-2017	Clamp-Hose-Oetiker-Single Ear Stepless-16.6<>19.8mm-S/S
17	1	4100-1013	Hose-Spray-Delivery-7 Bar-13mm ID-PVC
18	1	6200-8310	Pipe-Fitting-Straight-13 Shankx1/2BSPM-Plastic
19	4	3110-0525	Fastener-Machine-Screw-Pan-M5x25-Pozi-ZP
20	4	3310-6005	Fastener-Washer-Flat-M5-ZP
21	4	3170-0005	Fastener-Nut-Nyloc-M5-ZP
22	1	4100-0008	Hose-Spray-Delivery-40 Bar-8.5mm ID-Yellow
23	4	2000-2014	Clamp-Hose-Oetiker-Single Ear Stepless-14.5<>7.0mm-S/S
24	1	6200-7250	Pipe-Fitting-Quick Release-Valve-Stopx8.5 Shank-Brass
25	4	3170-0008	Fastener-Nut-Nyloc-M8-ZP
26	2	8410-9105	Strap-Web Sling-1440 Long-38mm-900KG--Reduced and Reversed-KS1 Material-Black
27	1	6200-7210	Pipe-Fitting-Quick Release-Male Connectorx8.5 Shank-Brass
28	1	4080-3900	Holder-Handgun-YELLOW-Gas Tube-150LG-MDPE
29	3	3290-0820	Fastener-Set Screw-Hex-8.8 Grade-M8x20-ZP
30	4	3310-6008	Fastener-Washer-Flat-M8-ZP
31	1	3700-9170	Gasket-Washer-26x40x3-Rubber
32	1	3090-0520	Fastener-Machine-Screw-Pan-M5x20-Phillips-Stainless
33	1	3130-0105	Fastener-Nut-Nyloc-M5-Stainless
34	1	6200-5440	Pipe-Fitting-Nut-Back-3/4BSP-Plastic
35	1	6200-9440	Pipe-Fitting-Thru Tank-Straight-3/4BSPM-Nylon
36	1	6200-5400	Pipe-Fitting-Nut-Back-1/2BSP-Plastic
37	1	6250-3001	Plug-Electrical-2 Pin-Male-20 Amp-With Cover
38	2	6250-8620	Plug-Tube End-Square-1 1/2"x1 1/2"-Black-Plastic
39	1	6200-1300	Pipe-Fitting-Cap-3/4BSPF-Plastic
40	1	3400-3000	Filter-In Line-Flojet-Round-Quad Portx1/2"-PETG

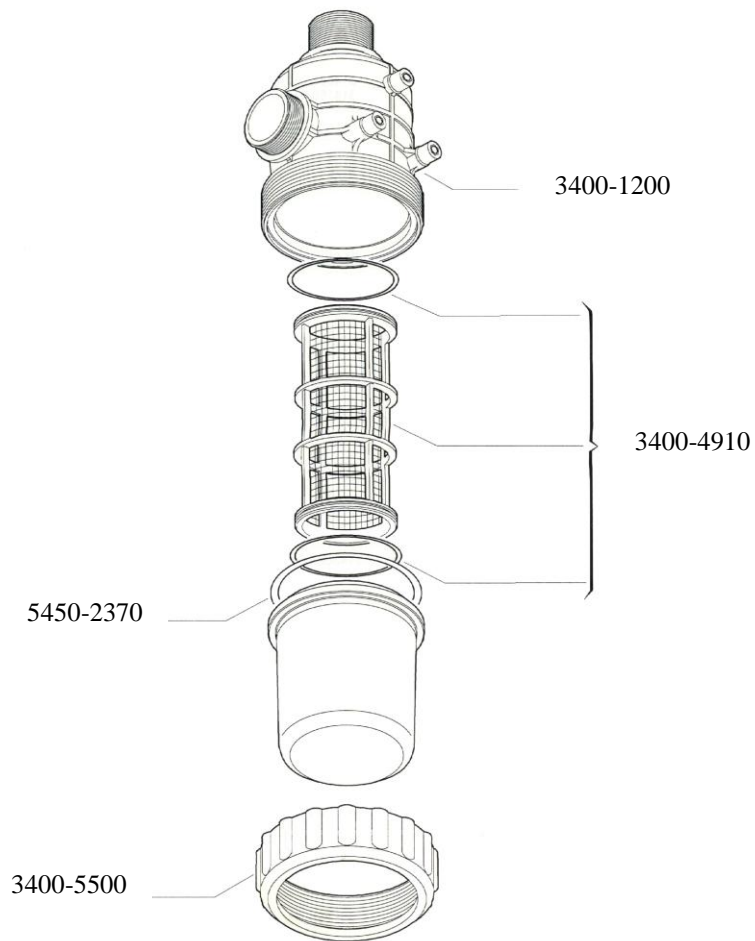
# SprayOn 500 Trailed Parts Diagram



## SprayOn 500 Trailed Parts List

Number	QTY	Part No.	Description
1	1	3500-6600	Frame-Trailed-In-Ex 400/SO500-GL
2	2	1300-6900	Bracket-Mudguard-Spray On-Galv
3	2	7500-2590	Rota-Mudguard-Blue-MDPE-1/4 Circle
4	2	9200-4556	Wheel-Knobbly -Bearing-22x11-8
5	1	1082-4384	Axle-In-Ex 400T-GL
6	4	3290-0840	Fastener-Set Screw-Hex-8.8 Grade-M8x40-ZP
7	16	3170-0008	Fastener-Nut-Nyloc-M8-ZP
8	8	3290-1050	BOLT M10x50-ZP
9	2	8250-8503	Spring-Trailer-50mm Wide-3 Leaf-375Kg-
10	2	6500-6400	Profiled-Plate-Universal Mount-Black-Steel
11	2	3170-0016	Fastener-Nut-Nyloc-M16-ZP
12	2	9200-9002	Wheel-Sundry-Seal-Universal
13	2	9200-9003	Wheel-Sundry-Washer-Stub Axle-3/4"-Heavy
14	2	9200-9000	Wheel-Sundry-Cap-Grease-Plastic
15	1	4000-5000	Hand Gun-SR-Lance-Complete-600mm-Cone Nozzle-Adjustable
16	1	6800-5500	Pump-Flojet-High Flow-10.9LPM-Quad Ports
17	1	1500-3000	Cable-Electrical-Loom-1 Switch Box-3.0M
18	1	7500-4355	Rota-Tank-500L-Spray-Yellow-MDPE-Horizontal
19	1	5000-1650	Lid-Tank-D255-Ring Only-Incl Gasket
20	1	3400-1120	Filter-Basket-D255-204x185x240mm
21	1	5000-1600	Lid-Tank-D255 Bare-Vented-Black-Nylon
22	8	3070-0300	Fastener-Machine-Screw-CSK-8Gx3/4-Pozi-Stainless
23	4	4085-1010	Hook-Bolt-Threaded-M8-Slimline-ZPG
24	1	4100-0008	Hose-Spray-Delivery-40 Bar-8.5mm ID-Yellow (10m)
25	1	4085-4060	Hook-Hose-SO500-ZP
26	1	3400-3000	Filter-In Line-Flojet-Round-Quad Portx1/2"-PETG
27	1	4100-1013	Hose-Spray-Delivery-7 Bar-13mm ID-PVC
28	1	8900-8410	Valve-Tap-Inline-13 Shankx13 Shank-Black-Nylon
29	4	2000-2017	Clamp-Hose-Oetiker-Single Ear Stepless-16.6<>19.8mm-S/S
30	1	4100-1013	Hose-Spray-Delivery-7 Bar-13mm ID-PVC
31	1	6200-8310	Pipe-Fitting-Straight-13 Shankx1/2BSPM-Plastic
32	4	3110-0525	Fastener-Machine-Screw-Pan-M5x25-Pozi-ZP
33	4	3310-6005	Fastener-Washer-Flat-M5-ZP
34	4	3170-0005	Fastener-Nut-Nyloc-M5-ZP
35	1	4100-0008	Hose-Spray-Delivery-40 Bar-8.5mm ID-Yellow
36	4	2000-2014	Clamp-Hose-Oetiker-Single Ear Stepless-14.5<>7.0mm-S/S
37	1	6200-7250	Pipe-Fitting-Quick Release-Valve-Stopx8.5 Shank-Brass
38	1	8800-3800	Tow-Coupling-Handle-Double Ended-1 78 x 50mm-ZP
39	2	8410-9105	Strap-Web Sling-1440 Long-38mm-900KG--Reduced and Reversed-KS1 Material-Black
40	1	6200-7210	Pipe-Fitting-Quick Release-Male Connectorx8.5 Shank-Brass
41	1	4080-3900	Holder-Handgun-YELLOW-Gas Tube-150LG-MDPE
42	3	3290-0820	Fastener-Set Screw-Hex-8.8 Grade-M8x20-ZP
43	4	3310-6008	Fastener-Washer-Flat-M8-ZP
44	1	3700-9170	Gasket-Washer-26x40x3-Rubber
45	1	3090-0520	Fastener-Machine-Screw-Pan-M5x20-Phillips-Stainless
46	1	3130-0105	Fastener-Nut-Nyloc-M5-Stainless
47	1	6200-5440	Pipe-Fitting-Nut-Back-3/4BSP-Plastic
48	1	6200-9440	Pipe-Fitting-Thru Tank-Straight-3/4BSPM-Nylon
49	1	6200-5400	Pipe-Fitting-Nut-Back-1/2BSP-Plastic
50	1	6250-3001	Plug-Electrical-2 Pin-Male-20 Amp-With Cover
51	2	6250-8620	Plug-Tube End-Square-1 1/2"x1 1/2"-Black-Plastic
52	1	6200-1300	Pipe-Fitting-Cap-3/4BSPF-Plastic
53	8	3240-0018	Fastener-Rivet-Blind-Truss Head-3/16x18mm-Aluminium
54	2	2840-1690	Fastener-Bolt&Nut-Hex-8.8 Grade-M16x90-ZP

**SUCTION FILTER 1 1/4"**  
**Part Number # 3400-8360**  
**Fitted to engine driven units only**



**Suction Filter 1/2"**  
**Part Number 3400-2910**

**Fitted to 12V units manufactured prior to 2009 only**

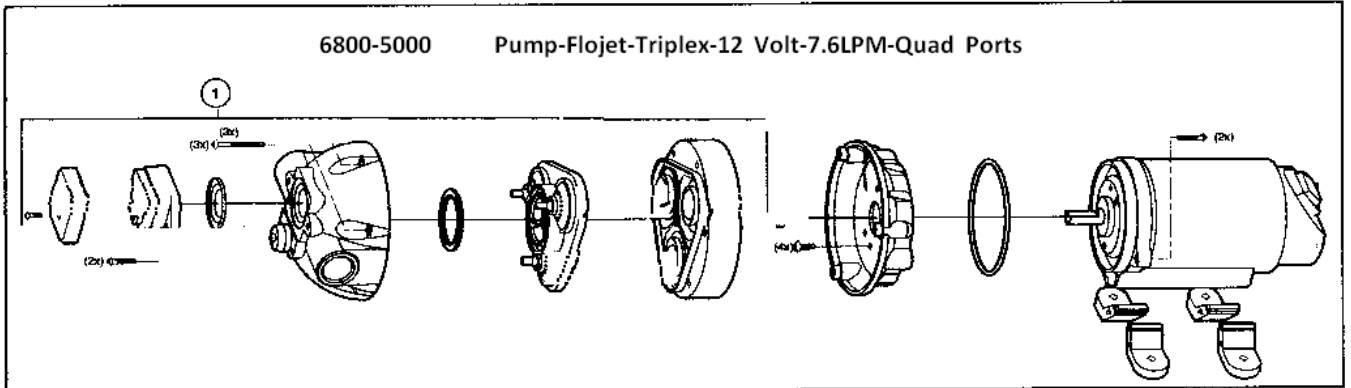


Filter Body  
3400-1240

## FLOJET SPRAY PUMP RELACEMENT PARTS

The following replacement parts for the **12V Flojet 7.6 L/Min** pump are available from any C-Dax dealer:  
**This diagram is for 7.6L/min pump only**, units manufactured prior to Jan 2015.

**PLEASE NOTE THAT NO REPLACEMENT PARTS AVAILABLE FOR THE FLOJET 10.9LPM PUMP**



**NOTE**  
 Please select the correct hose connection type for your pump

The below pictures show the quadport type (Left hand photo) and threaded type (Right hand photo). The threaded type is no longer available for ordering and should be replaced with a quadport type. When replacing a threaded pump head with a quadport type you will require replacement quadport hose fittings in addition to the pump head.

**Quadport Type:**



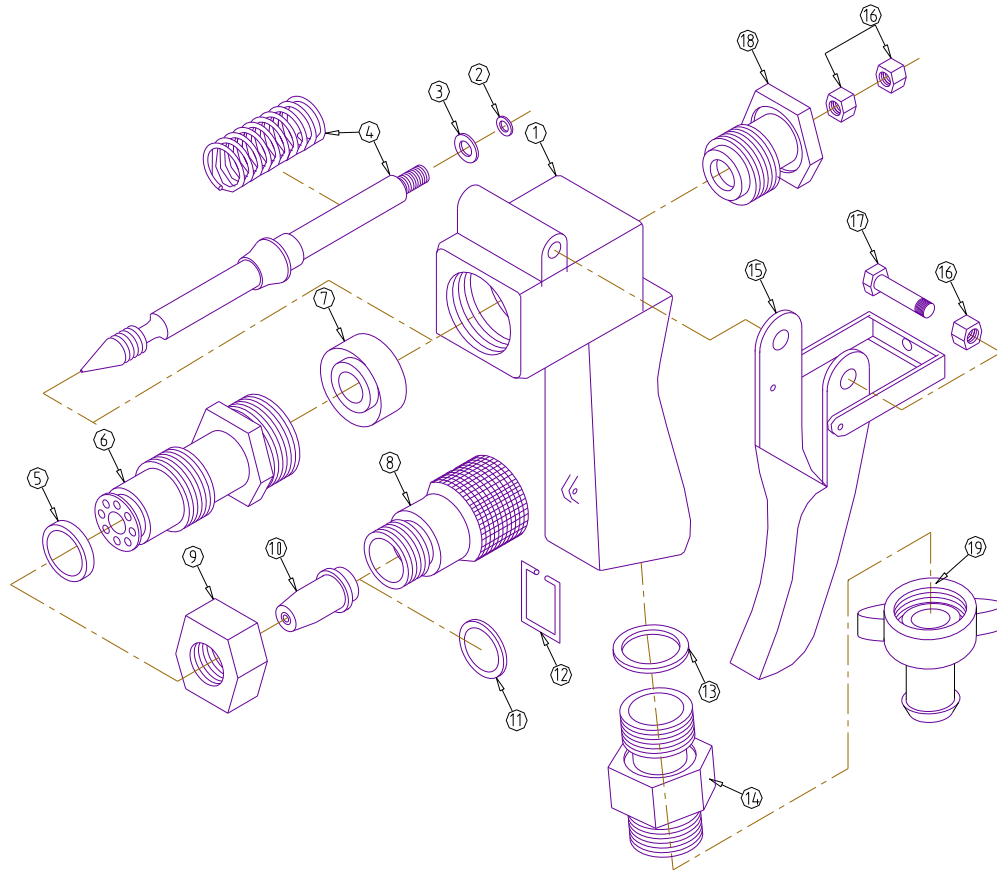
**Screw Type:**



ITEM	PART NO.	DESCRIPTION
1	6800-5160	Pumphead Kit (includes pressure switch) <b><u>To Suit Quadport Type</u></b>
	6800-5000	Replacement Pump <b><u>Quadport Type</u></b>
	6200-2980	Pipe-Fitting-Flojet-Elbow-10-13mm ShankxQuad Port Pump-Nylon
	6200-3020	Pipe-Fitting-Flojet-Straight-10-13mm ShankxQuad Port Pump-Plastic



**HG2 Handgun**  
Part number #4000-3900



Item No	Part No	Description	Qty
19	6200-1640	Pipe-Fitting-Connector-Straight-10 Shank-Incl 1/2BSPF Fly Nut-Brass	1
18	4000-3920	Hand Gun-HG2-Bush-Threaded-Needle Shaft-Rear	1
17	4000-3916	Hand Gun-HG2-Bolt & Nut-Trigger	1
16	4000-3940	Hand Gun-HG2-Nut-Needle Shaft Adjust	3
15	4000-3954	Hand Gun-HG2-Trigger Assembly	1
14	4000-3922	Hand Gun-HG2-Connector-Hose to Gun-1/2BSPMx1/2BSPM	1
13	4000-3926	Hand Gun-HG2-Gasket-Washer-Swivel Connect-26x18x2-Rubber	1
12	4000-3932	Hand Gun-HG2-Lock-Trigger	1
11	4000-3948	Hand Gun-HG2-O'Ring-Nozzle Tip	1
10	4000-3938	Hand Gun-HG2-Nozzle-Tip-2.5mm	1
10	4000-3936	Hand Gun-HG2-Nozzle-Tip-2.0mm	1
10	4000-3934	Hand Gun-HG2-Nozzle-Tip-1.5mm	1
9	4000-3942	Hand Gun-HG2-Nut-Nozzle Tip Retaining	1
8	4000-3918	Hand Gun-HG2-Bushing	1
7	4000-3950	Hand Gun-HG2-Seal-Teflon	1
6	4000-3930	Hand Gun-HG2-Housing-Nozzle Adjusting	1
5	4000-3946	Hand Gun-HG2-O'Ring-Needle Shaft-Rear	1
4	4000-3952	Hand Gun-HG2-Shaft-Needle/Flow Adjusting-One Piece	1
3	4000-3924	Hand Gun-HG2-Gasket-Washer-Needle Shaft	1
2	4000-3944	Hand Gun-HG2-O'Ring-Needle Shaft	1
1	4000-3928	Hand Gun-HG2-Housing-Gun Body	1

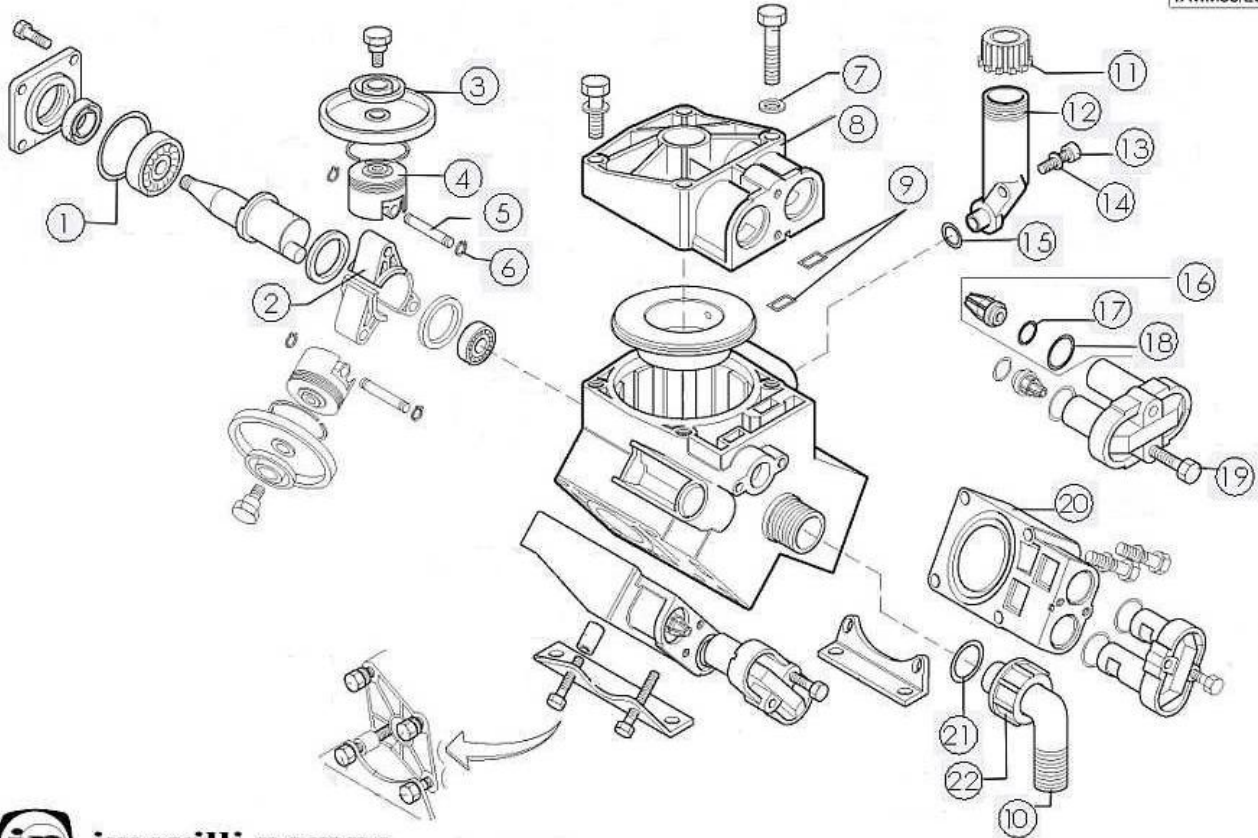
### CAUTION

To allow the spraying system to operate effectively, any spraying device should not exceed 2/3 of the maximum flow of the spray pump.

Example: 2.5 L/min x 12 nozzles = 30 L/min. 30 litres is more than 2/3 the capacity of the M35 pump so an M50 would be required, or the nozzle flow reduced.

### M35 Pump Part number #6800-7700

TAV.M35/2004.05

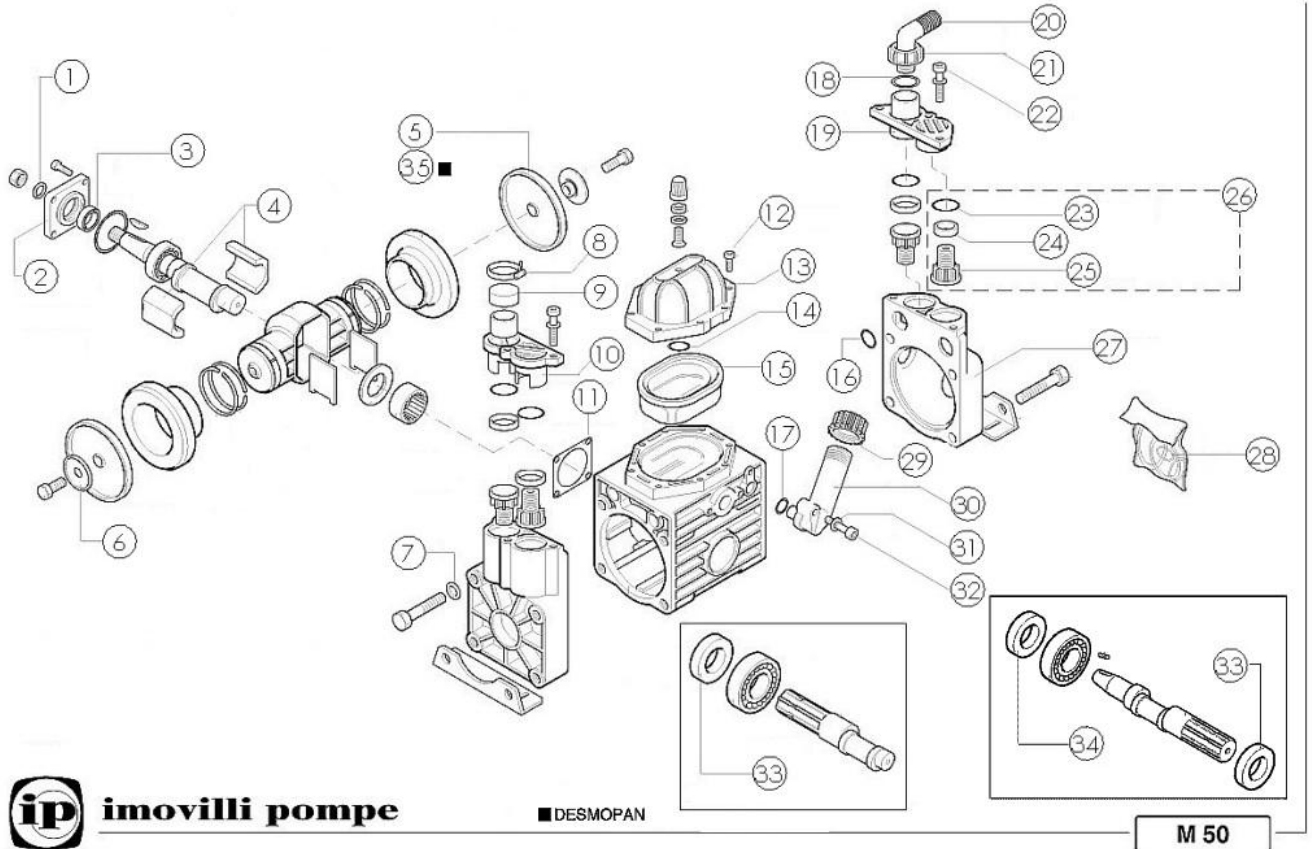


**imovilli pompe**

M 35

ITEM NO.	QTY.	e9 Part No	e9 description
1	1	5500-7090	ORing-Metric-3.1x54.4mm-N70
2	1	7400-4200	Rod-Imovilli-Connecting-M35
3	1	2300-4320	Diaphragm-Imovilli-Piston-M25;M35
4	1	6220-4360	Piston-Imovilli-Pump-M35
5	1	6100-4320	Pin-Imovilli-Piston-M35
6	1	1980-4000	Circlip-Imovilli-Gudgeon-M35
7	1	9100-4320	Washer-Imovilli-Chamfered-1750
8	1	4060-2050	Head-Imovilli-Cylinder-M35-LH
9	1	5450-4600	ORing-Imperial-3/32x11/16"-N70
10	1	6200-4230	Pipe-Fitting-Imovilli-Elbow-25 Shank-Swivel-25mm-Plastic
11	1	1600-4400	Cap-Imovilli-Oil Filler-M25;M35;M50;D82;D113
12	1	5400-3000	Oil Filler-Imovilli-M25;M35;M50
13	1	3040-0835	Fastener-Imovilli-Cap Head-Allen Screw-M8x35-Grade 8.8-ZP
14	1	9100-4320	Washer-Imovilli-Chamfered-1750
15	1	5500-2020	ORing-Metric-2.0x15mm-V75
16	1	8900-4340	Valve-Imovilli-Check-Complete-M25;M29;M35
17	1	5450-4580	ORing-Imperial-3/32"x3/4"-N70
18	1	5450-4620	ORing-Imperial-3/32"x1"-N70
19	1	3060-0830	Fastener-Imovilli-Set Screw-Hex-M8x30-8.8 Grade-ZP
20	1	4060-2050	Head-Imovilli-Cylinder-M35-LH
21	1	5450-4590	O'Ring-Imperial-3/32"x13/16"-N70
22	1	6200-4260	Pipe-Fitting-Imovilli-Nut-Swivel-1"-Plastic

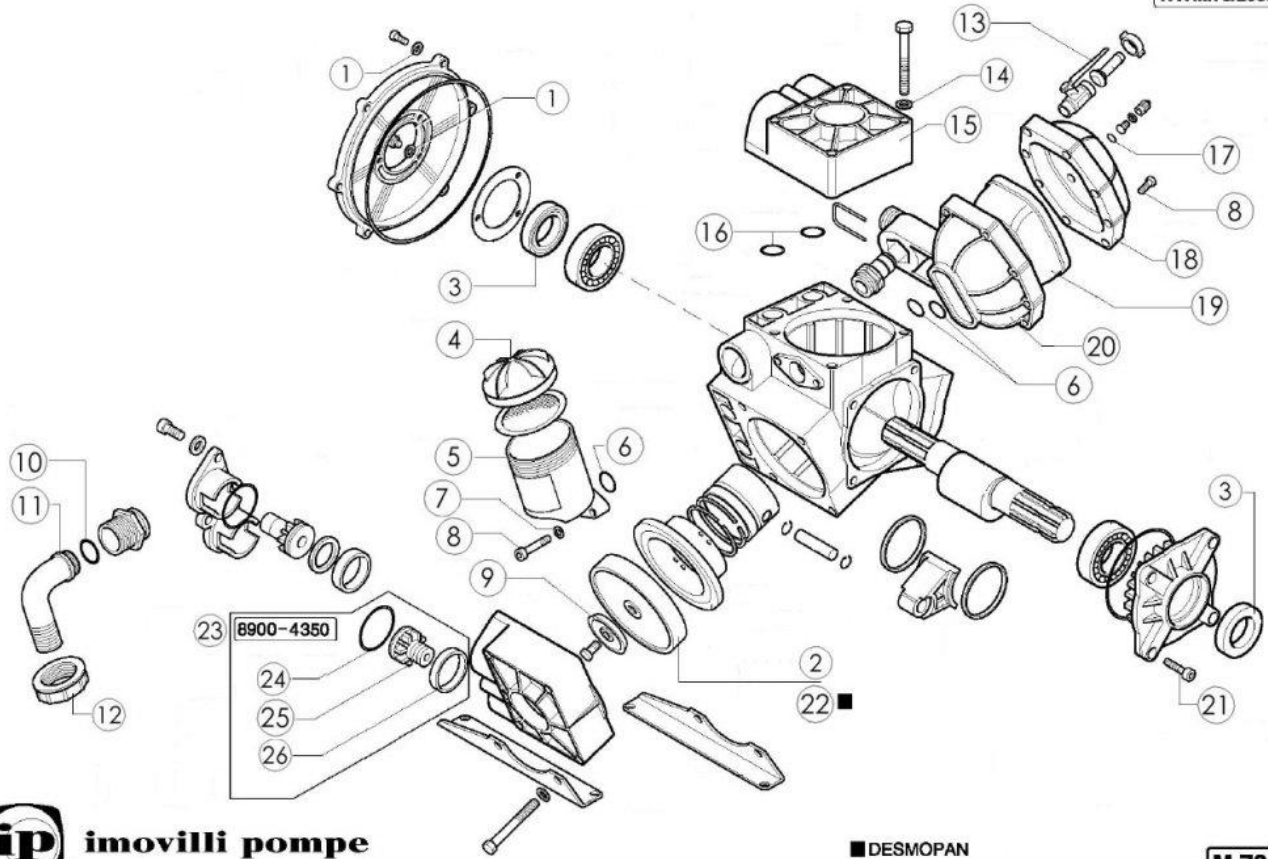
**M50 Pump**  
Part number #6800-7900



Item No.	QTY	Part No.	Description
1	1	9100-4310	Washer-Imovilli-Chamfered-M16
2	1	7800-4300	Seal-Imovilli-Oil-30x47x7-Nitrile
3	1	2250-4250	Cover-Imovilli-Bearing-M50,D82,D113,D123
4	2	1140-4300	Bearing-Imovilli-Big End-M50
5	2	2300-4330	Diaphragm-Imovilli-Piston-M30,M50,M73
6	2	9100-4330	Washer-Imovilli-Diaphragm to Piston-M30,M50,M73,M104,M135
7	4	9100-4360	Washer-Imovilli-Flat-M12
8	1	2010-4200	Clamp-Imovilli-Hose-Suction Damper-M30,M50
9	1	2300-4380	Diaphragm-Imovilli-Suction Damper-M50-41mm OD
10	1	2250-4400	Cover-Imovilli-Valve-Suction Damper Side-M30,M50
11	1	2250-4200	Cover-Imovilli-Bearing-M35,M50,D82,D123
12	8	3040-0830	Fastener-Imovilli-Cap Head-Allen Screw-M8x30-Grade 8.8-ZP
13	1	4060-1010	Head-Imovilli-Accumulator-M30,M50
14	1	5450-2200	ORing-Imperial-1/8"x1/4"-N70
15	1	2300-4220	Diaphragm-Imovilli-Accumulator-M50,M73,M104S,M135S
16	4	5450-4590	ORing-Imperial-3/32"x13/16"-N70
17	1	5500-2020	ORing-Metric-2.0x15mm-V75
18	1	5450-4640	ORing-Imperial-3/32"x1 3/16"-N70
19	1	2250-4450	Cover-Imovilli-Valve-Suction Side-M30,M50
20	1	6200-4240	Pipe-Fitting-Imovilli-Elbow-32 Shank-Swivel-33mm-Plastic
21	1	6200-4270	Pipe-Fitting-Imovilli-Nut-Swivel-1 1/4"-Plastic
22	6	3040-1030	Fastener-Imovilli-Cap Head-Allen Screw-M10x30-Grade 8.8-ZP
23	4	5450-4660	ORing-Imperial-3/32"x1 7/16"-N70
24	4	3700-3800	Gasket-Imovilli-Valve-M30,M50,M73,M104S,M135S
25	4	8900-4360	Valve-Imovilli-Check-M50,M73,M104S,M135S
26	4	8900-4350	Valve-Imovilli-Check-M30,M50,M73,M104,M135
27	2	4060-2010	Head-Imovilli-Cylinder-M30,M50,M73,M104S,M135
28	1	2300-4460	Diaphragm-Imovilli-Incl Orings-Kit-M30,M50
29	1	1600-4400	Cap-Imovilli-Oil Filler-M25,M35,M50,D82,D113
30	1	5400-3000	Oil Filler-Imovilli-M25,M35,M50
31	2	9100-4320	Washer-Imovilli-Chamfered-1750
32	1	3040-0835	Fastener-Imovilli-Cap Head-Allen Screw-M8x35-Grade 8.8-ZP
33	1	7800-5580	Seal-Oil-35x47x7-Nitrile
34	1	7800-4300	Seal-Imovilli-Oil-30x47x7-Nitrile
35	2	2300-4290	Diaphragm-Imovilli-Piston-Desmopan-M30,M50,M73

**M73 Pump**  
Part number #6800-8000

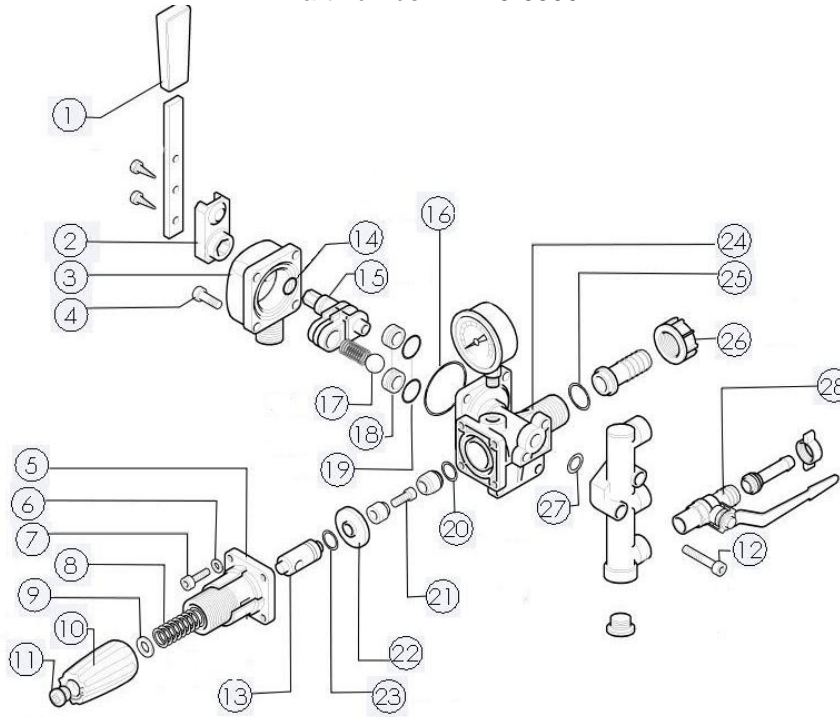
TAV.M73/2005.01



Number	QTY	E9 Part No.	DESC
1	9	9100-4350	Washer-Imovilli-Flat-6592
2	3	2300-4330	Diaphragm-Imovilli-Piston-M30,M50,M73
3	2	7800-5580	Seal-Oil-35x47x7-Nitrile
4	1	1600-4500	Cap-Imovilli-Oil Filler-M73,M104,D123
5	1	5400-4000	Oil Filler-Imovilli-M73,D123,
6	3	5450-4580	ORing-Imperial-3/32"x3/4"-N70
7	3	9100-4320	Washer-Imovilli-Chamfered-1750
8	10	3040-0835	Fastener-Imovilli-Cap Head-Allen Screw-M8x35-Grade 8.8-ZP
9	3	9100-4330	Washer-Imovilli-Diaphragm to Piston-M30,M50,M73,M104,M135
10	1	5450-4640	ORing-Imperial-3/32"x1 3/16"-N70
11	1	6200-4240	Pipe-Fitting-Imovilli-Elbow-32 Shank-Swivel-33mm-Plastic
12	1	6200-4270	Pipe-Fitting-Imovilli-Nut-Swivel-1 1/4"-Plastic
13	1	8900-4320	Valve-Imovilli-Ball-3/8BSPMx1/2BSPM-SX-Brass
14	8	9100-4360	Washer-Imovilli-Flat-M12
15	3	4060-2010	Head-Imovilli-Cylinder-M30,M50,M73,M104S,M135
16	6	5450-4590	ORing-Imperial-3/32"x13/16"-N70
17	1	5450-2200	ORing-Imperial-1/8"x1/4"-N70
18	1	4060-1010	Head-Imovilli-Accumulator-M30,M50
19	1	2300-4220	Diaphragm-Imovilli-Accumulator-M50,M73,M104S,M135S
20	1	1120-4300	Base-Imovilli-Accumulator-M73
21	4	3040-0820	Fastener-Imovilli-Cap Head-Allen Screw-M8x20-Grade 8.8-ZP
22	3	2300-4290	Diaphragm-Imovilli-Piston-Desmopan-M30,M50,M73
23	6	8900-4350	Valve-Imovilli-Check-M30,M50,M73,M104,M135
24	6	5450-4660	ORing-Imperial-3/32"x1 7/16"-N70
25	6	8900-4360	Valve-Imovilli-Check-M50,M73,M104S,M135S
26	6	3700-3800	Gasket-Imovilli-Valve-M30,M50,M73,M104S,M135S

## CD10 Pressure Regulator

Part number #2220-0500



**imovilli pompe**

**COMANDO CD 10**

Item No.	QTY	Part No.	Description
1	1	4550-4450	Knob-Imovilli-Dump Handle-CD10-Black
2	1	8435-4300	Support-Imovilli-Lever
3	1	4150-1550	Housing-Imovilli-Valve-Dump-CD10-Alloy
4	1	3040-0820	Fastener-Imovilli-Cap Head-Allen Screw-M8x20-Grade 8.8-ZP
5	1	4150-1500	Housing-Imovilli-Pressure Adjust-CD10-Plastic
6	1	9100-4350	Washer-Imovilli-Flat-6592
7	1	3040-0620	Fastener-Imovilli-Cap Head-Allen Screw-M6x20-Grade 8.8-ZP
8	1	8250-4300	Spring-Imovilli-Pressure Control-CD10
9	1	9100-4300	Washer-Imovilli-Chamfered-CD10
10	1	4550-4300	Knob-Imovilli-Control-CD10-No cap
11	1	1600-4300	Cap-Imovilli-Knob-Screw Blanking-CD7;CD10
12	1	3040-0635	Fastener-Imovilli-Cap Head-Allen Screw-Cap-M6x35-Grade 8.8-ZP
13	1	6220-4320	Piston-Imovilli-Controller-CD10
14	1	5450-1020	ORing-Imperial-1/16"x1/2"-N70-Hobby Head
15	1	7830-4300	Selector-Imovilli-Cam-on/off-CD10
16	1	5450-4680	ORing-Imperial-3/32"x2"-N70
17	1	1110-4280	Ball-Imovilli-Valve-CD10
18	1	7820-4300	Seat-Imovilli-Ball-CD10-Stainless
19	1	5450-1030	ORing-Imperial-1/16"x9/16"-N70
20	1	5450-1030	ORing-Imperial-1/16"x9/16"-N70
21	1	3040-0412	Fastener-Imovilli-Cap Head-Allen Screw-M4x12-Stainless
22	1	2300-4350	Diaphragm-Imovilli-Regulator-CD6;CD10
23	1	5450-4560	ORing-Imperial-3/32"x7/16"-N70
24	1	1200-4200	Body-Imovilli-Valve-CD10
25	1	5450-4620	ORing-Imperial-3/32"x1"-N70
26	1	6200-4260	Pipe-Fitting-Imovilli-Nut-Swivel-1"-Plastic
27	1	5450-4560	ORing-Imperial-3/32"x7/16"-N70
28	1	8900-4310	Valve-Imovilli-Ball-3/8BSPMx1/2BSPM-DX-Brass

## EQUIPMENT DECONTAMINATION PROCEDURES

All application equipment should be regularly washed, decontaminated and cleaned both internally and externally whilst involved in routine operations, at least at the completion of each days work, and whenever a change of agrichemical mix occurs. The easiest way to reduce the hazards of contaminated equipment is to dilute pesticides with copious amounts of water, being careful to dispose of the rinsing in an approved manner. Decontamination should preferably be carried out on a concrete loading pad, which is correctly drained and ensure proper disposal of chemical wastes. If decontamination has to be carried out in the field, a safe area should be selected which will not be grazed by stock and will not drain into waterways, other crop sites or residential areas.

Most agrichemicals are subject to degradation in the presence of an alkaline or acid medium. Decontamination requirements vary with chemical types, however the following recommendations are presented as guidelines. If in doubt or if further information is required, manufacturers should be consulted.

**ORGANOPHOSPHATES:** Clean with a solution of washing soda and sodium hypochlorite, followed by a double water rinse.

**CARBAMATES:** Use a solution of washing soda and detergent followed by a double water rinse.

**PHENOXY HERBICIDES:** Phenoxy herbicides present special cleaning problems. This class of chemicals cannot be removed from a spray system using conventional methods and it is a group that is used widely in agriculture. If a fungicide or insecticide application has to be carried out after use of 2, 4-D or MCPB etc the following methods are suggested for decontaminating the spray system. Complete decontamination is generally considered impossible for this class of chemicals and great care must be taken. **The following procedure is not a guarantee of obtaining a herbicide free spray system.**

**SALTS (AMINE AND METAL) AND OTHER WATER SOLUBLE FORMULATIONS:**

Rubber hoses, nozzle diaphragms and seals may have to be renewed since they can retain chemical deposits. Add 5g of washing soda to each 10 litres of water and discharge through the nozzles. Double rinse the system with water.

**B) ULV FORMULATIONS:** Before using oil based formulations, it is important to remove any traces of water by flushing with diesel fuel. Likewise when reverting to water based sprays, the system should be cleaned with diesel fuel followed by a water based detergent rinse and water rinse.

**C) SULPHONYLUREA HERBICIDES:** It is generally possible to remove traces of these chemicals from a spray system provided the following method of cleaning is used. The procedure is listed according to data supplied by Du Pont.

### **Procedure:**

- 1- Drain system and flush tank, boom and hoses with clean water for a minimum of 10 minutes.
- 2- Fill the tank with clean water and add 300ml of household chlorine bleach (containing 3 % sodium hypochlorite) per 100L of water. Flush through the spray boom and nozzles and allow to sit for 15 minutes. Drain system.
- 3- Repeat Step 2.
- 4- Nozzles and screens should be removed and cleaned separately. To remove traces of chlorine bleach rinse the tank thoroughly with clean water and flush through hoses and boom.

**NB:** For phenoxy herbicides, washing soda is the preferred cleaning agent since it helps to lift the offending agent off the surfaces of the spray system. For Sulfonylurea herbicides, however, sodium hypochlorite is the preferred cleaning agent because it reacts with the sulfonylurea, causing it to be broken down into compounds with no herbicidal activity. The process occurs relatively quickly, (10 – 15 minutes) but is done twice to ensure complete deactivation of the sulfonylurea.

The products should be used as stated above. Under NO circumstances should washing soda be mixed with chlorine bleach. Mixing releases a dangerous gas.

Refer to the Agrichemical Manual for additional information.